

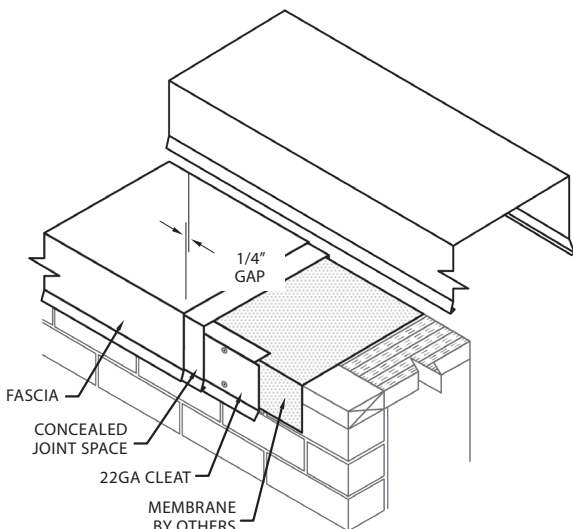
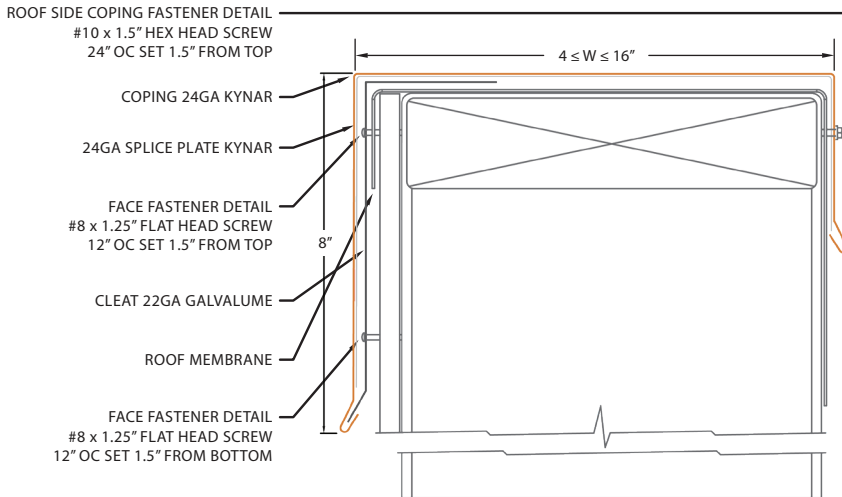
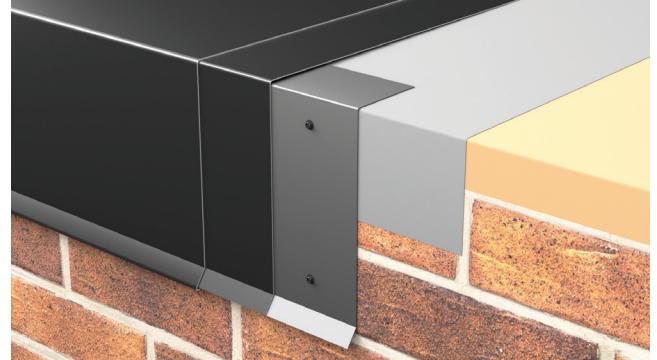
COPE LOK

WAARD METALS ROOFING SYSTEMS



PRODUCT DATA SPECIFICATIONS

Waard Metals Cope Lok is a continuous cleat coping cap for single ply parapet wall applications. Waard Metals Cope Lok provides superior protection against wind and water infiltration. Cope Lok features 22 GA continuous Galvalume cleat with pre-punched fastener holes for easy install. Cope Lok cover features Kynar-coated metal in a variety of thickness and substrates. The 10' lengths offer maximum install efficiency and clean aesthetics. Also available are prefabricated inside and outside corners and wall edge terminations. With five standard face dimensions, Cope Lok offers solutions for most any parapet wall.



Product Specifications:

Materials and Thickness:

22 and 24 GA Galvalume
.040 and .050 Aluminum

Coatings: Galvalume Plus, Kynar

Application:

- Engineered 22 GA cleat with locator flange and features pre-punched slotted holes for easy attachment and installation
- Concealed splice plate enhances color continuity, mitigates water infiltration at joints and maintains overall appearance

Performance Standards:

- ANSI/SPRI/FM4435 ES-1 Tested
- 25-year wind warranty
- 25-year finish warranty

MATERIAL	DIMENSIONS	WIND WARRANTY mph
22 & 24 GA Steel and .040 & .050 AL	4" face	120
22 & 24 GA Steel and .040 & .050 AL	5" face	120
22 & 24 GA Steel and .040 & .050 AL	6" face	120
22 & 24 GA Steel and .040 & .050 AL	7" face	120
22 & 24 GA Steel and .040 & .050 AL	8" face	120

CLAD WITH CONFIDENCE.

CALL NOW: 641.629.0878

SALES@WAARDMETALS.COM
WAARDMETALS.COM