

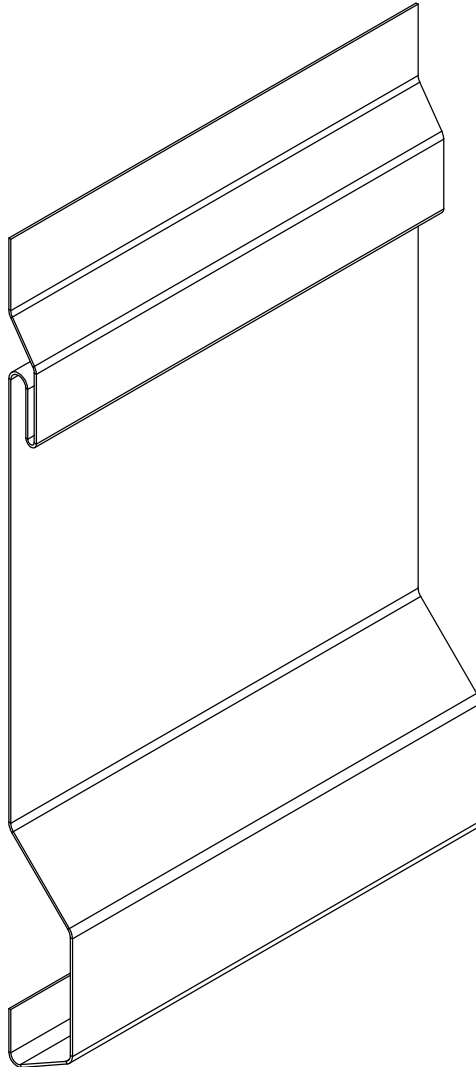
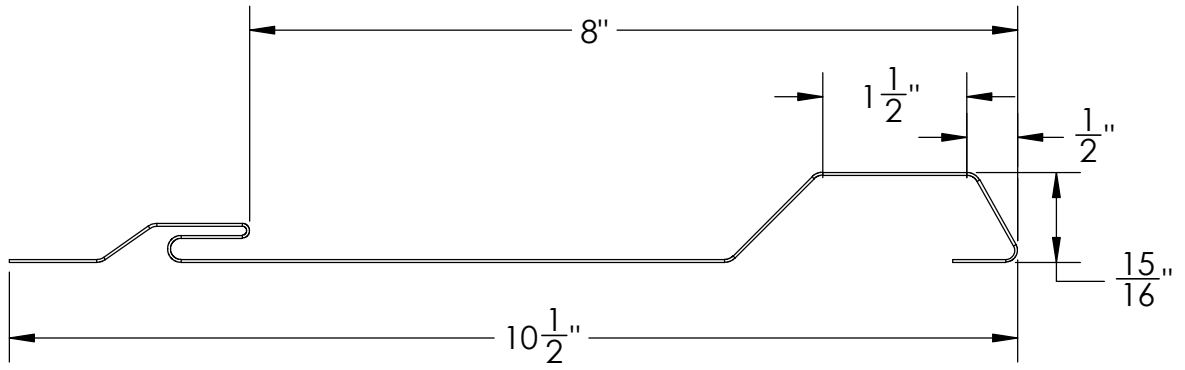
PAGE NUMBER	DESCRIPTION
2-11	SUMMIT PANEL DETAILS
12, 13	BASE DETAIL
14-16	HORIZONTAL JOINT DETAIL
17, 18	PARAPET DETAIL
19, 20	INSIDE CORNER DETAIL
21,22	OUTSIDE CORNER DETAIL
23,24	SOFFIT DETAIL
25,26	WINDOW HEAD DETAIL
27,28	WINDOW JAMB DETAIL
29,30	WINDOW SILL DETAIL
31-34	PANEL JOINT DETAIL
35	ISOMETRIC WALL ASSEMBLY
36	TRIM PROFILE DETAILS



**WAARD
METALS**

SUMMIT SERIES

SS-8-1

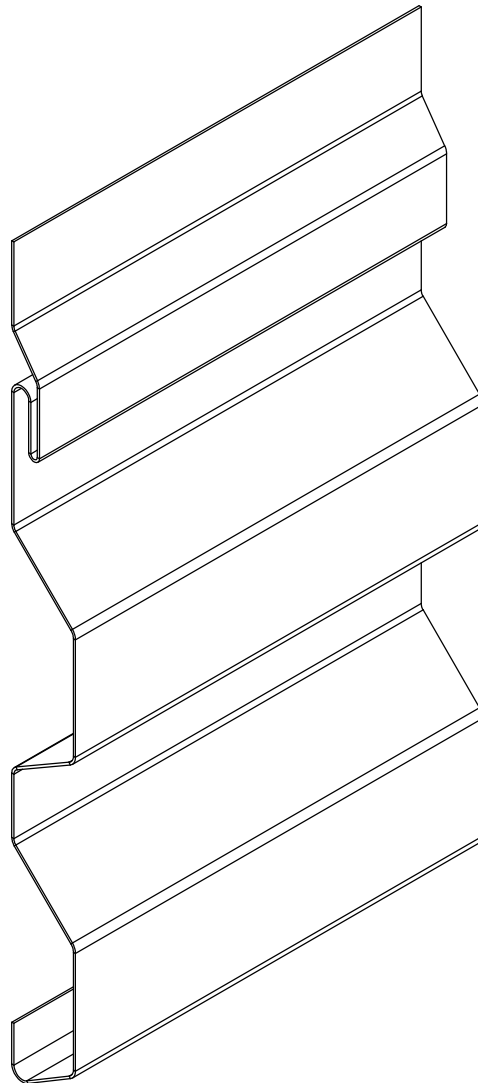
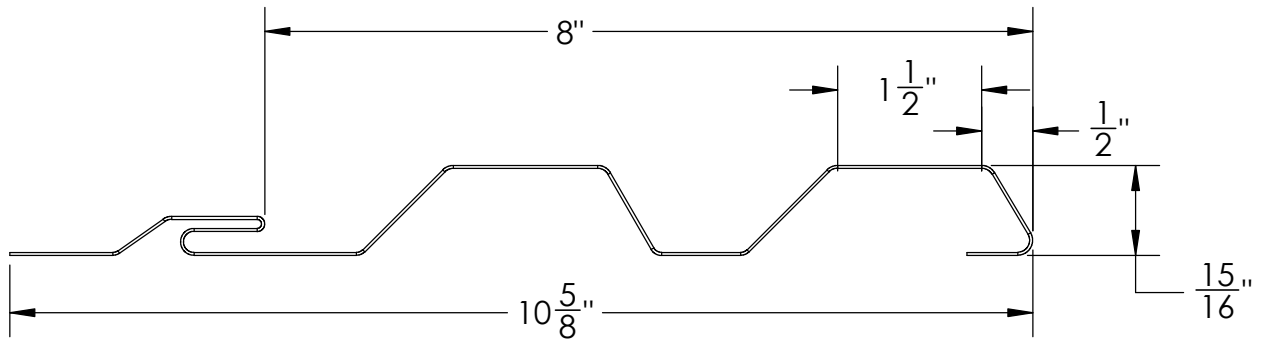




**WAARD
METALS**

SUMMIT SERIES

SS-8-2

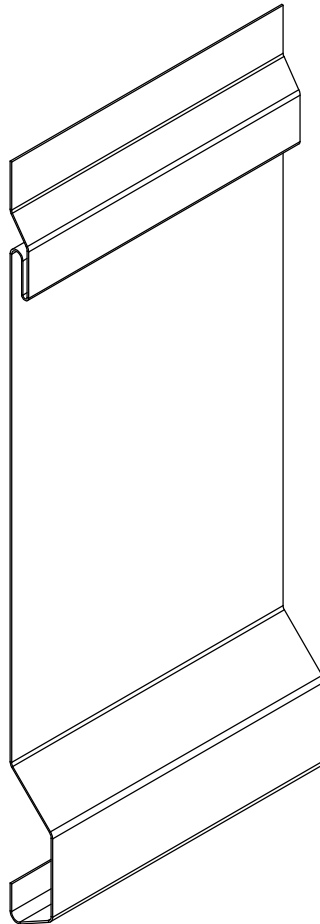
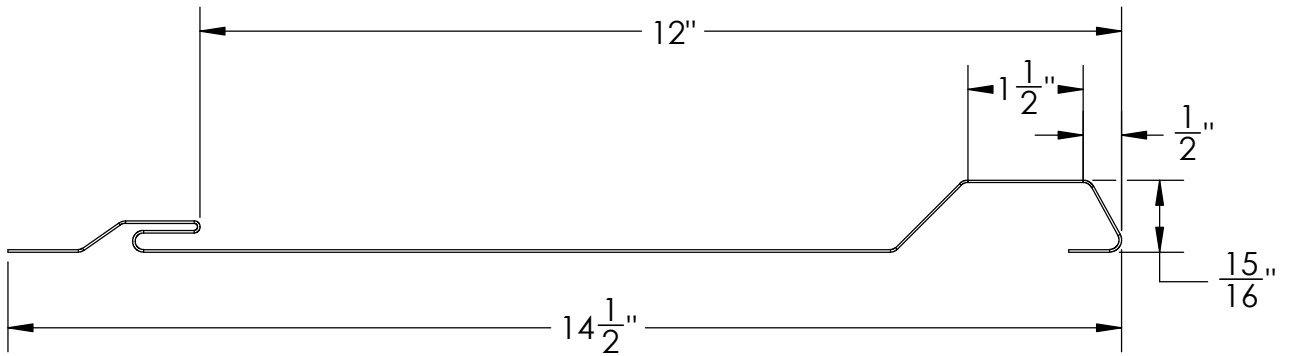




**WAARD
METALS**

SUMMIT SERIES

SS-12-1

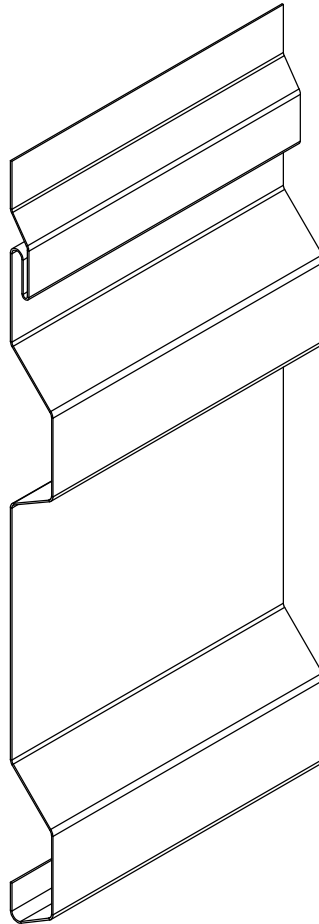
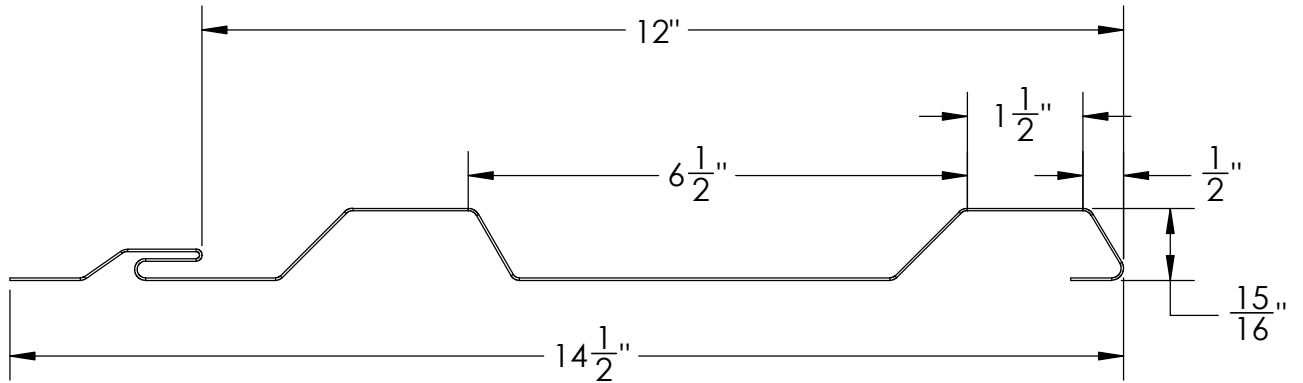




**WAARD
METALS**

SUMMIT SERIES

SS-12-2

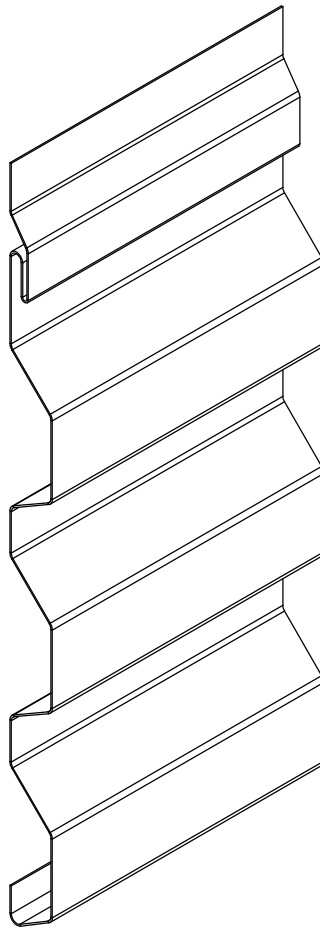
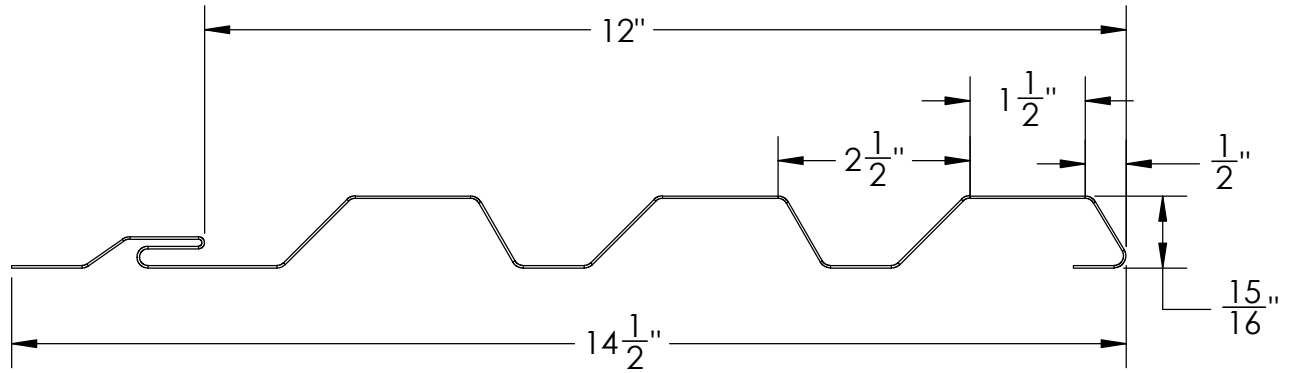




**WAARD
METALS**

SUMMIT SERIES

SS-12-3

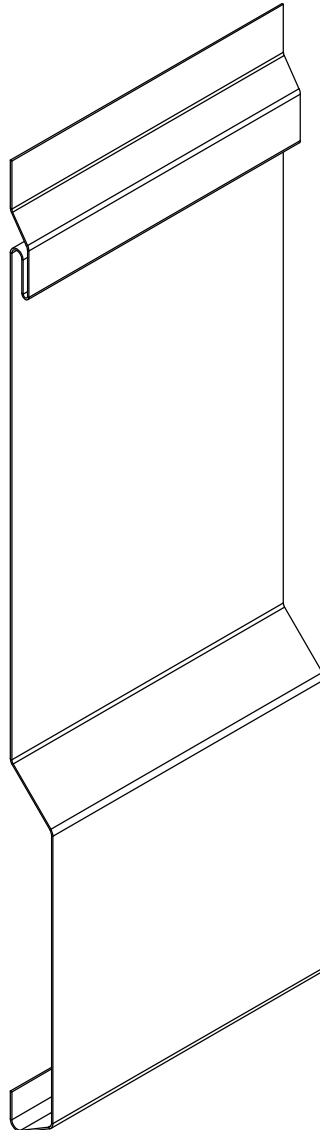
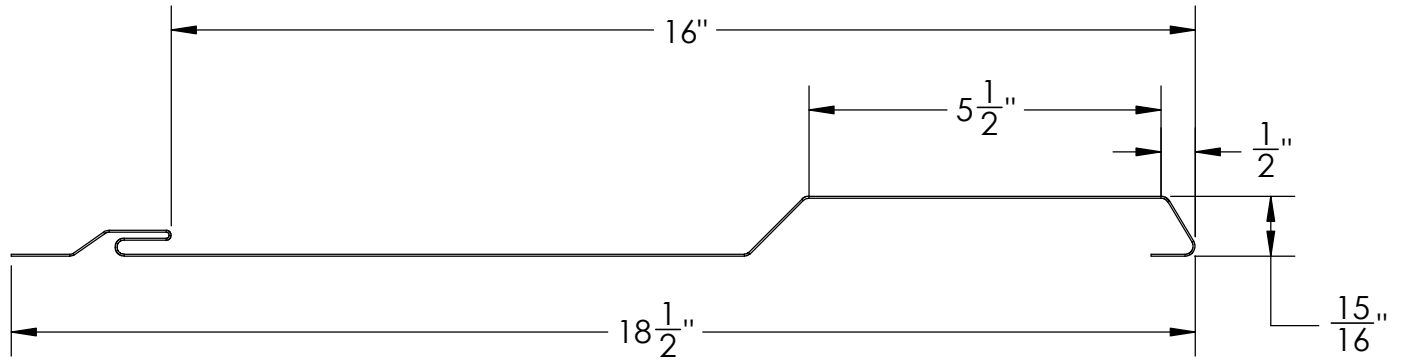




**WAARD
METALS**

SUMMIT SERIES

SS-16-1

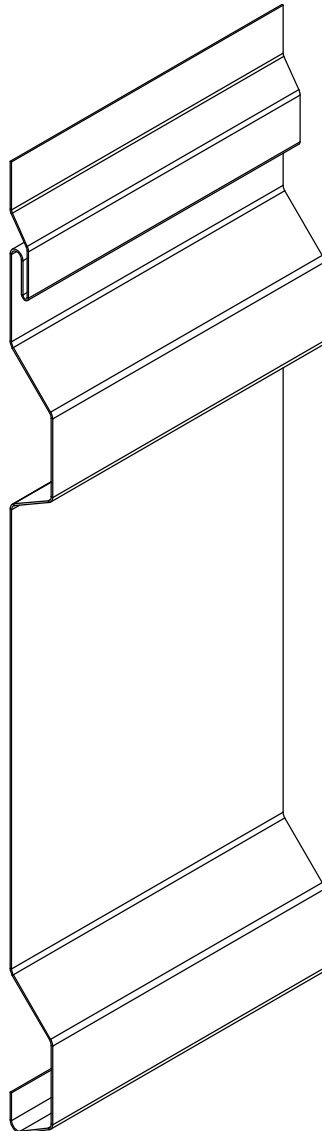
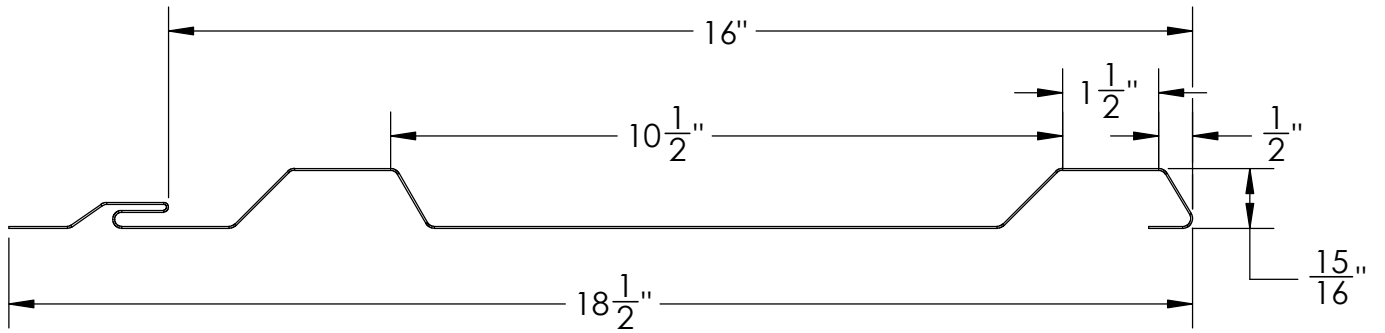




**WAARD
METALS**

SUMMIT SERIES

SS-16-2A

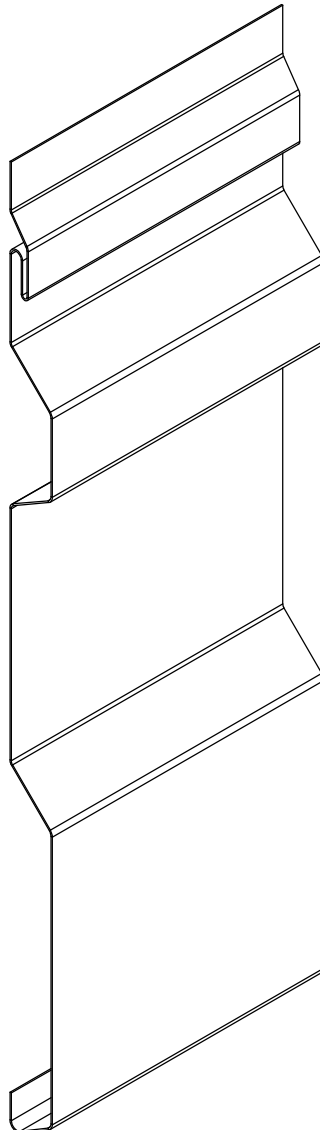
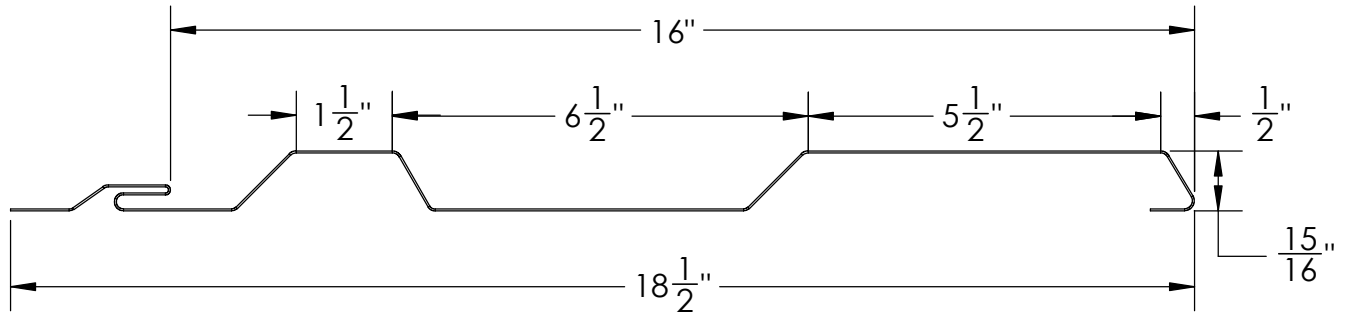




**WAARD
METALS**

SUMMIT SERIES

SS-16-2B

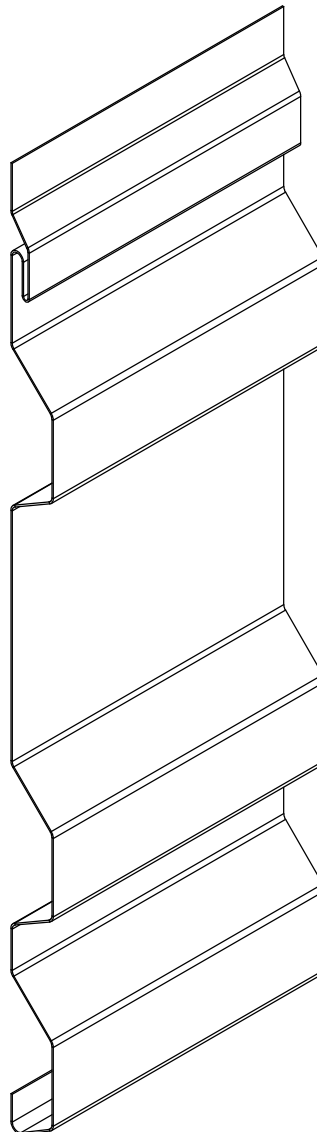
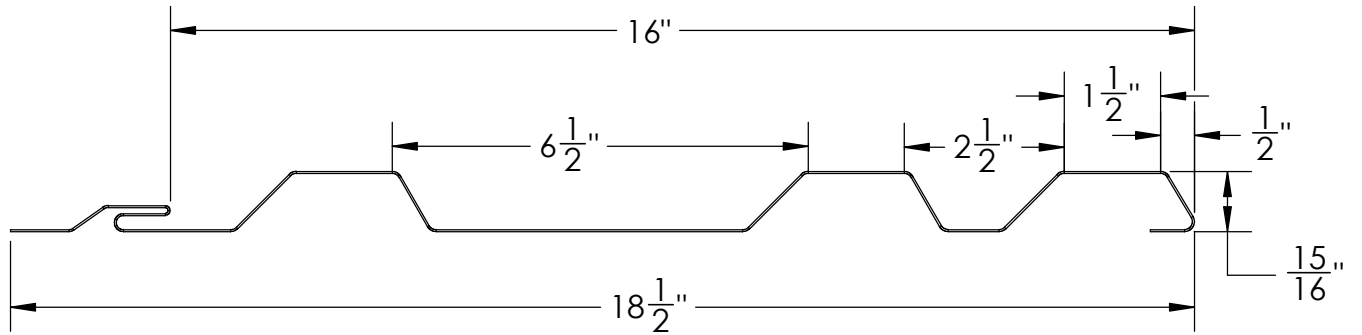




**WAARD
METALS**

SUMMIT SERIES

SS-16-3

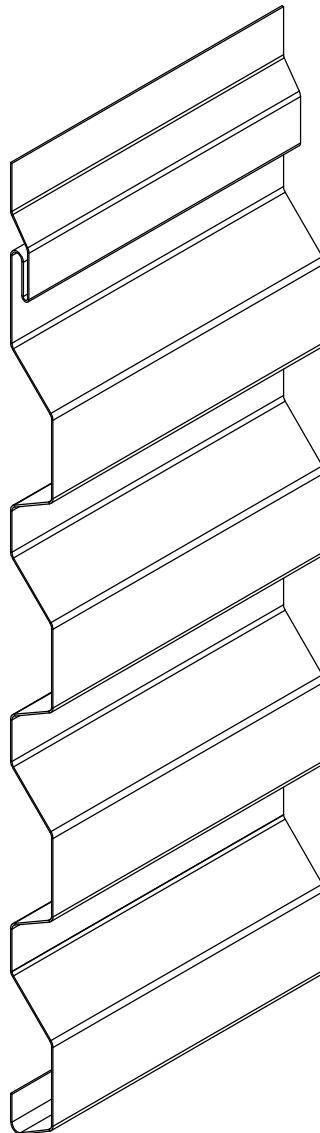
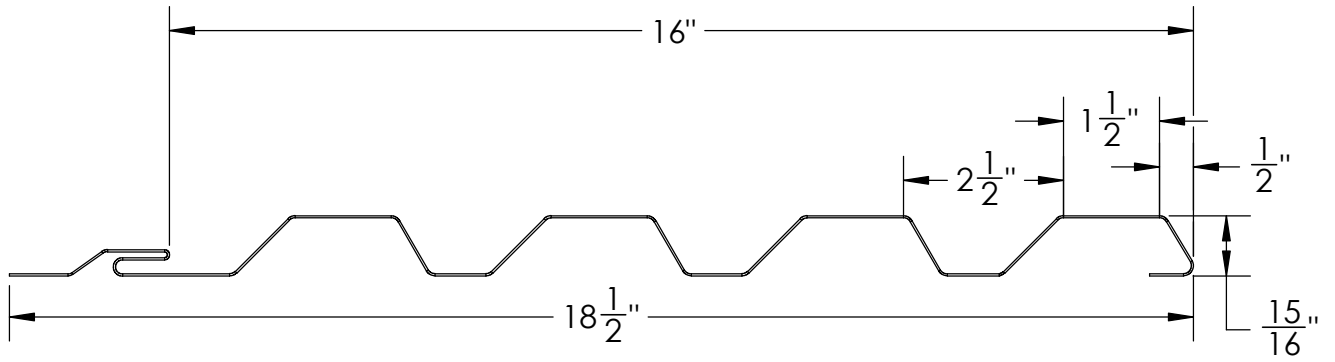




**WAARD
METALS**

SUMMIT SERIES

SS-16-4

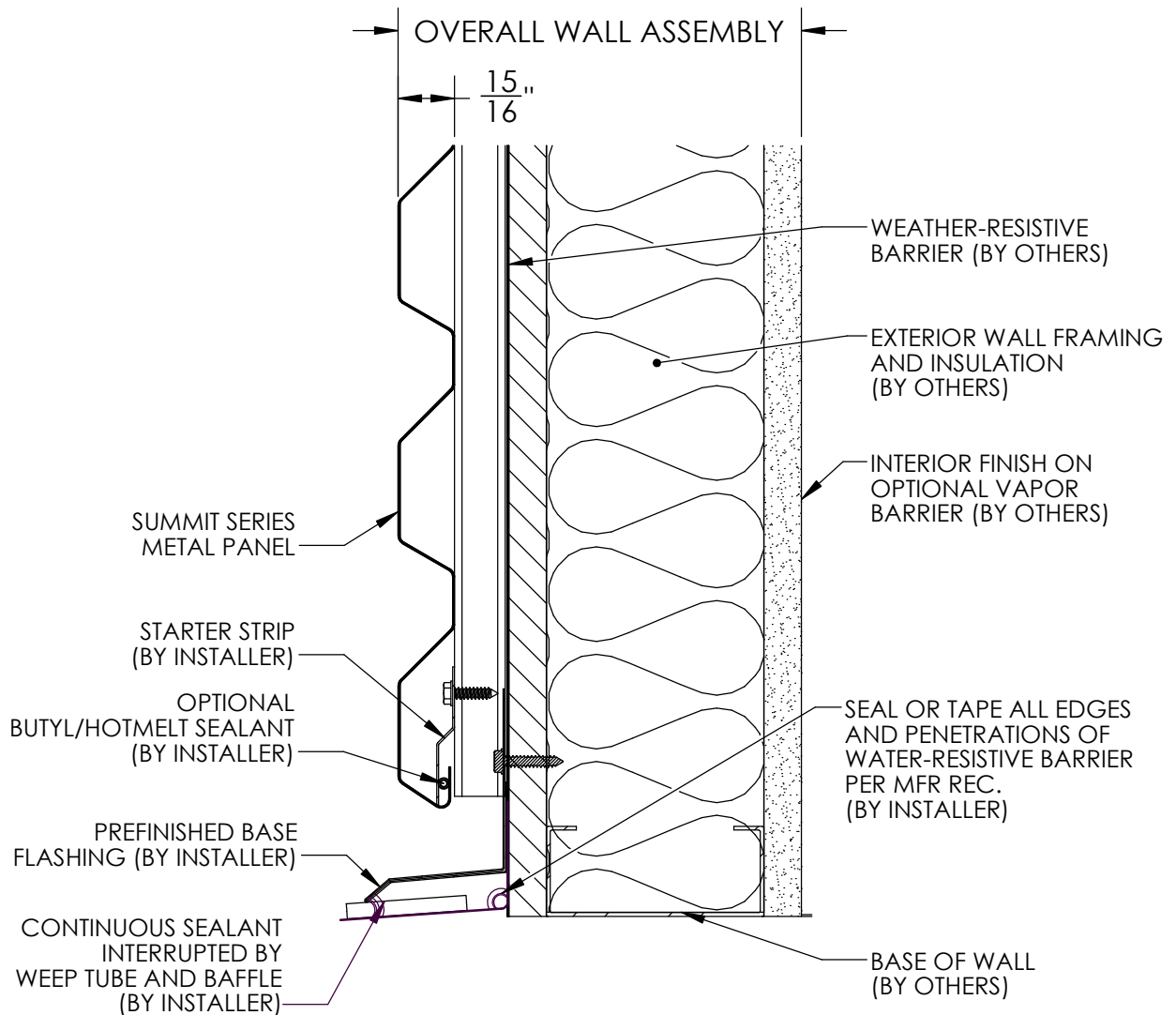




**WAARD
METALS**

SUMMIT SERIES

BASE DETAIL
NO INSULATION

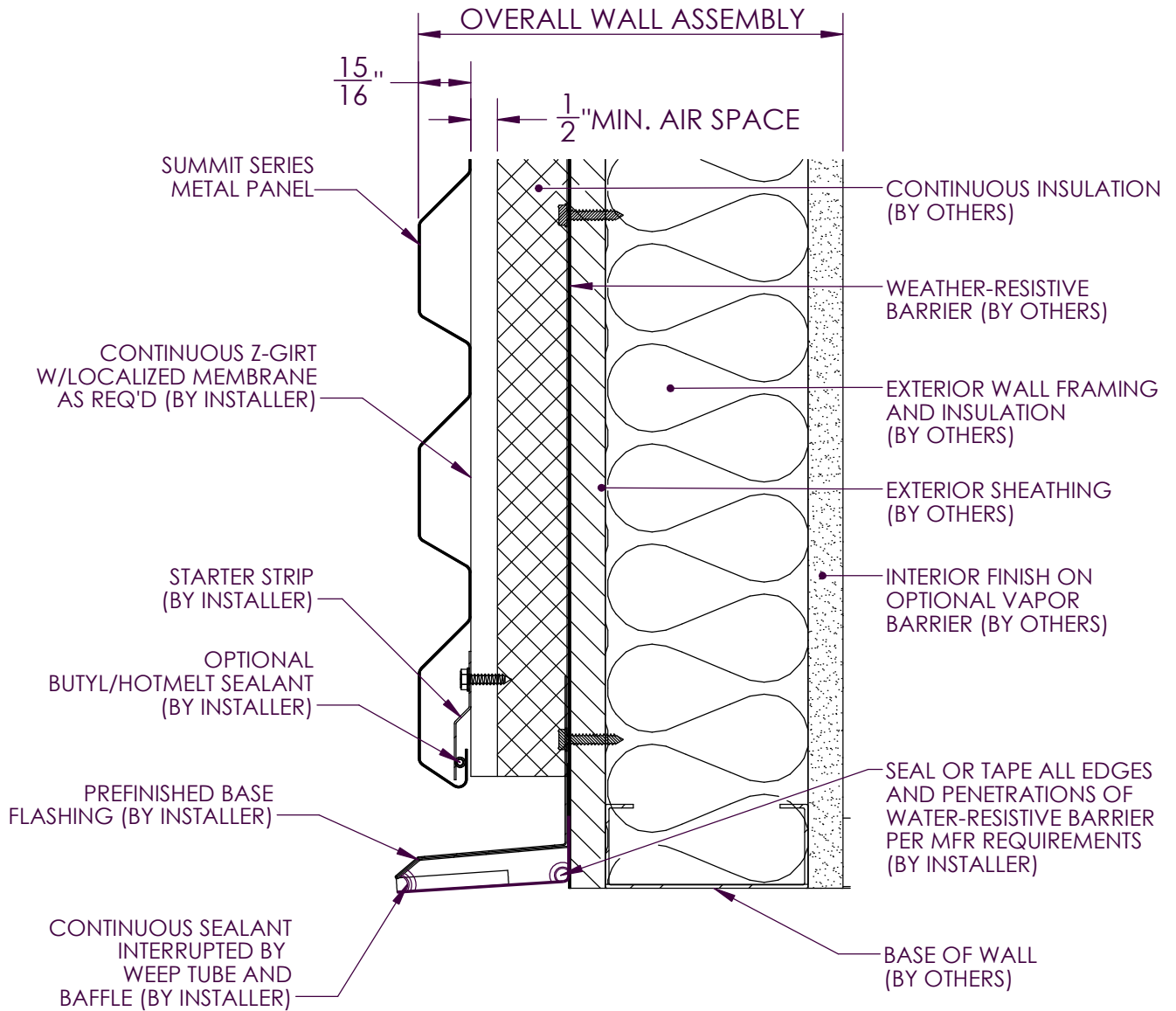




**WAARD
METALS**

SUMMIT SERIES

WALL BASE DETAIL
INSULATION

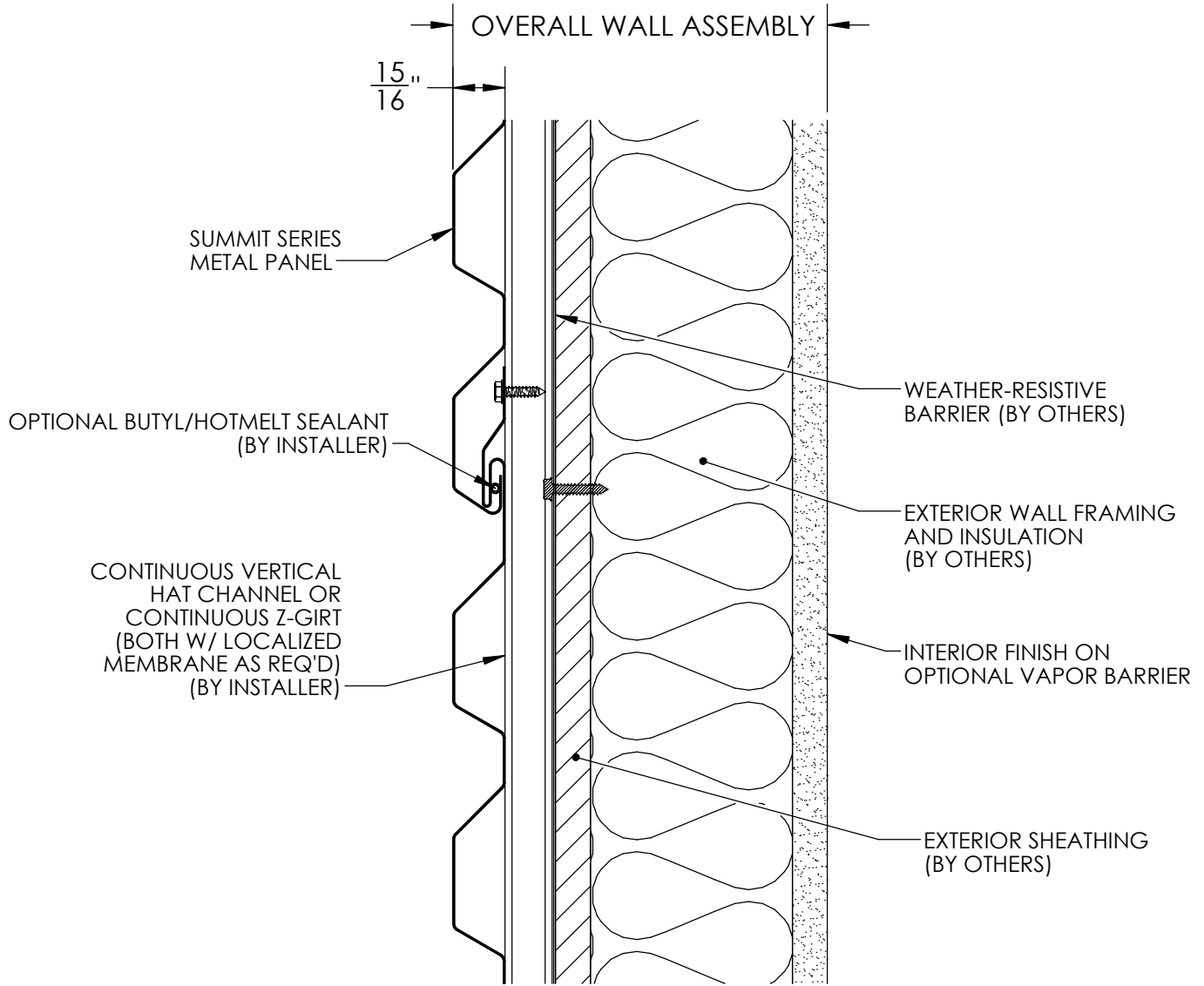




**WAARD
METALS**

SUMMIT SERIES

HORIZONTAL JOINT DETAIL
NO INSULATION

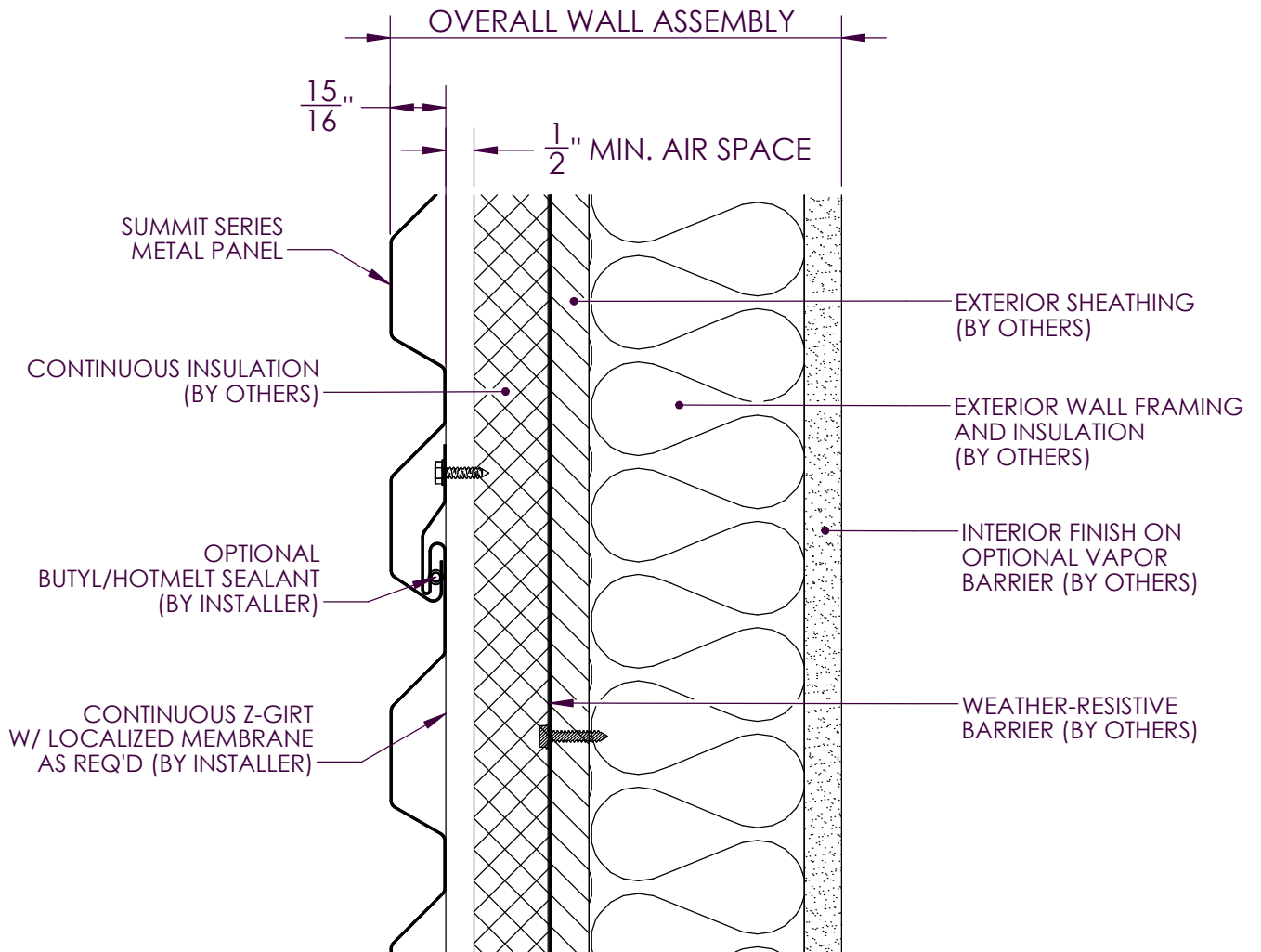




**WAARD
METALS**

SUMMIT SERIES

HORIZONTAL JOINT DETAIL
INSULATION

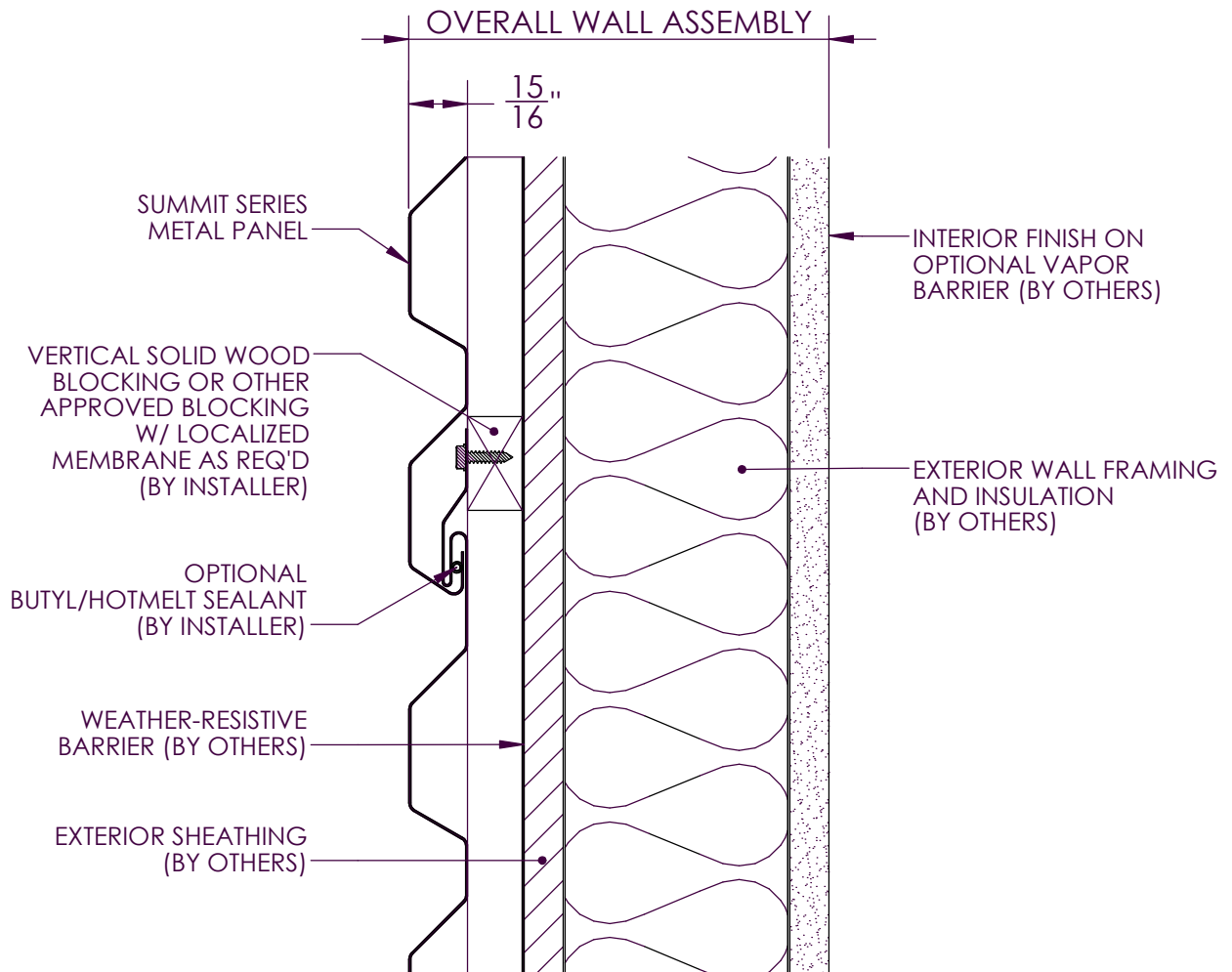




**WAARD
METALS**

SUMMIT SERIES

HORIZONTAL JOINT DETAIL
DIRECT FASTEN OPTION

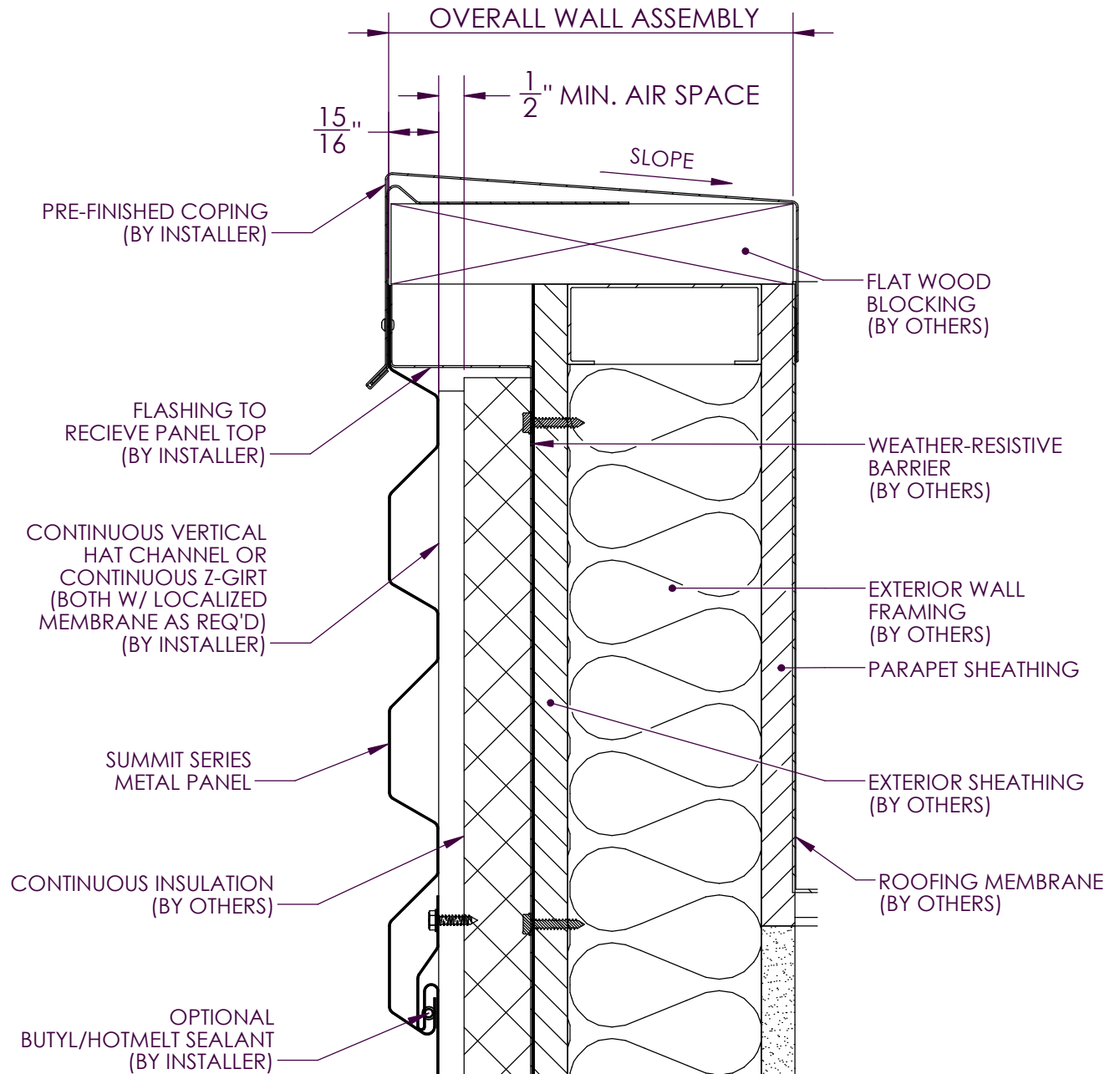




**WAARD
METALS**

SUMMIT SERIES

PARAPET ROOF DETAIL
INSULATION

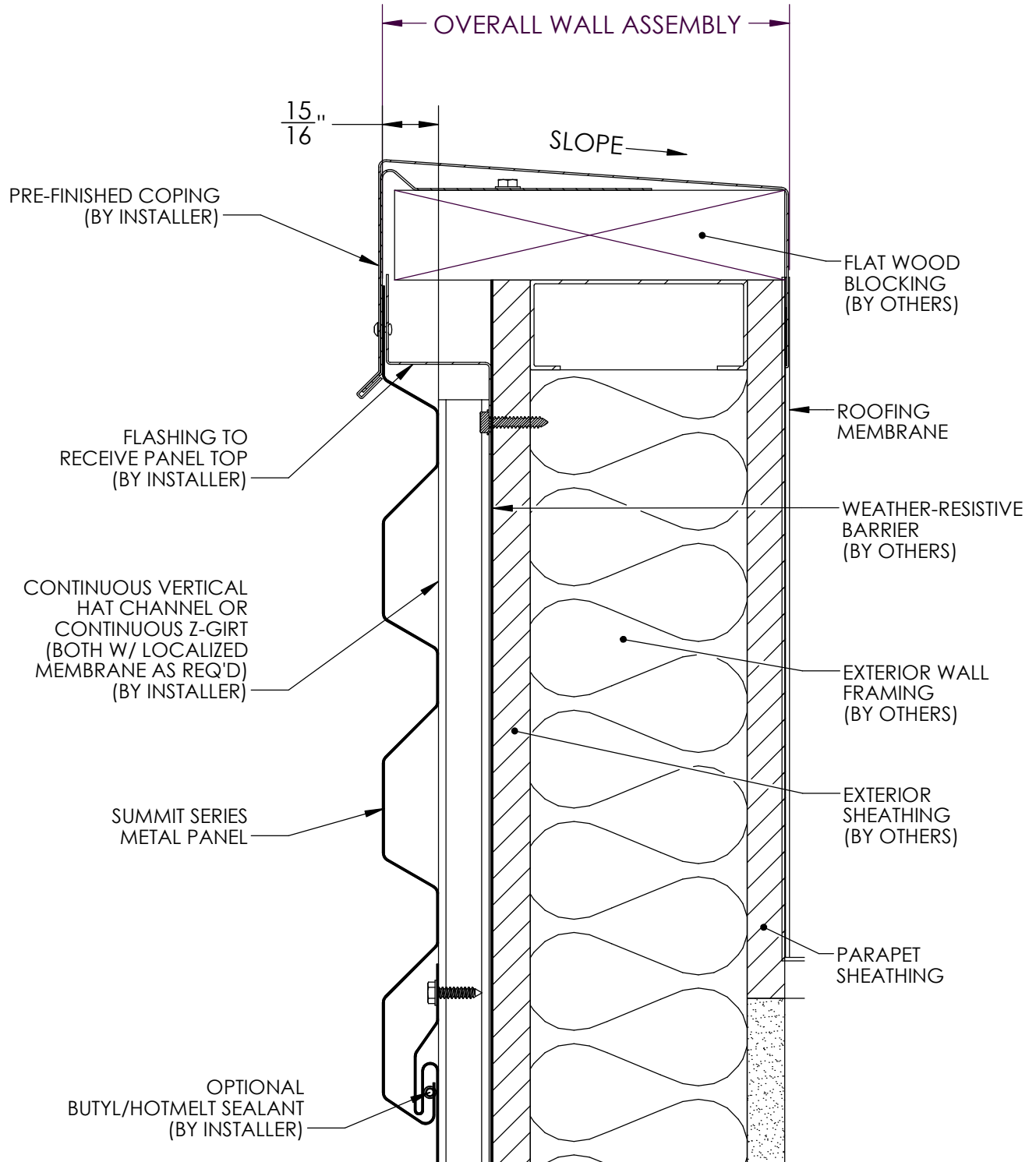




**WAARD
METALS**

SUMMIT SERIES

PARAPET ROOF DETAIL
NO INSULATION

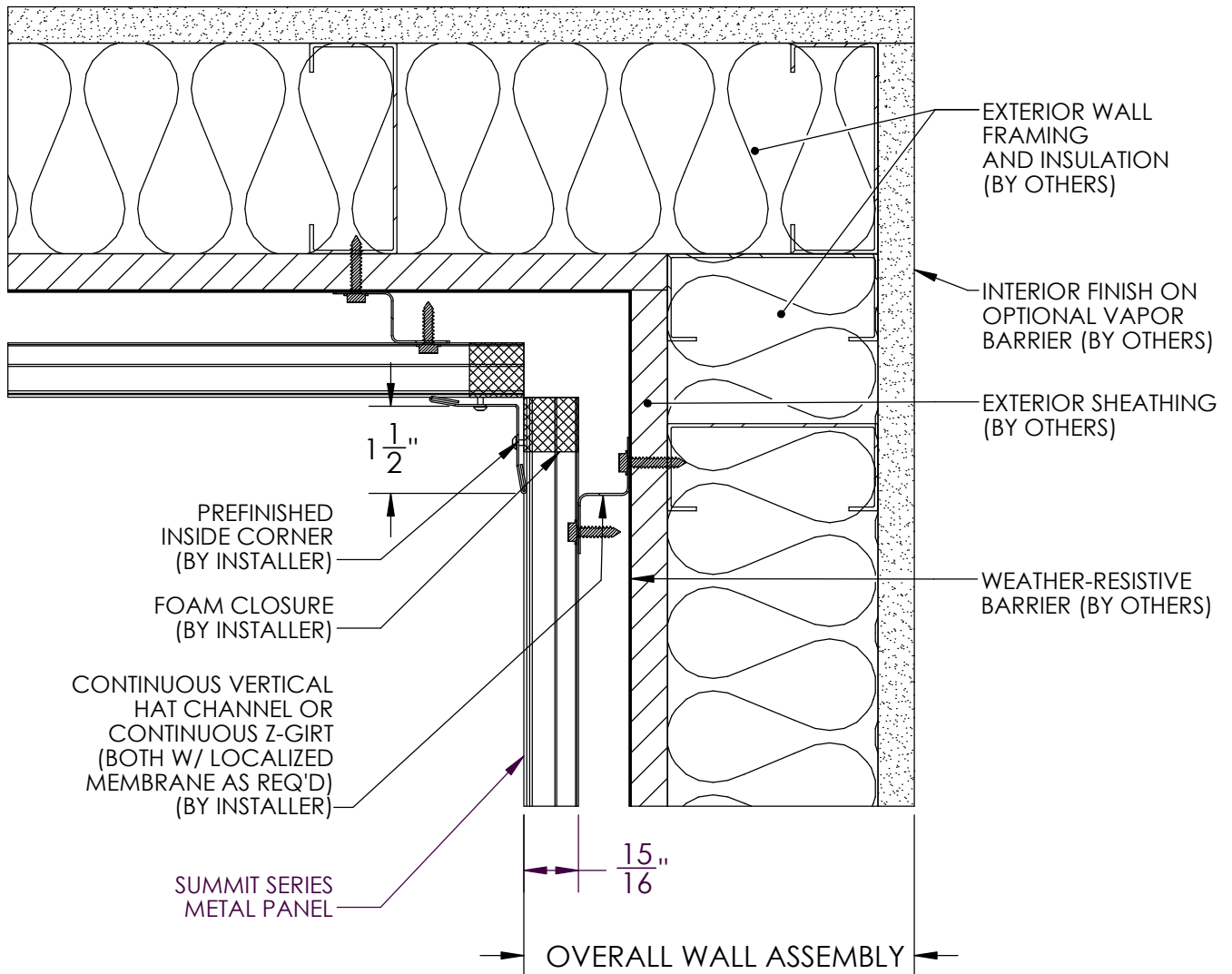




**WAARD
METALS**

SUMMIT SERIES

INSIDE CORNER DETAIL
NO INSULATION

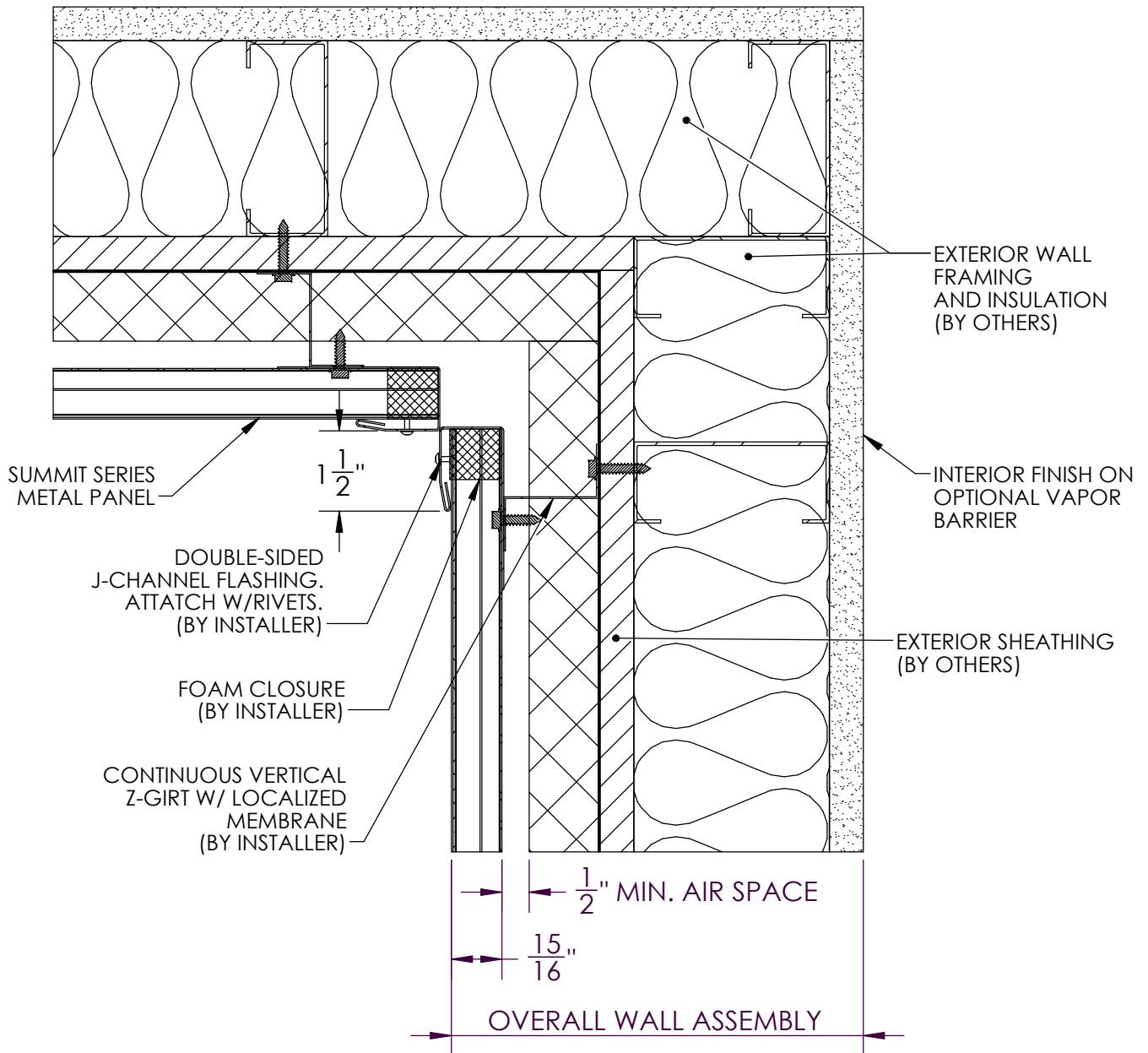




**WAARD
METALS**

SUMMIT SERIES

INSIDE CORNER DETAIL
INSULATION

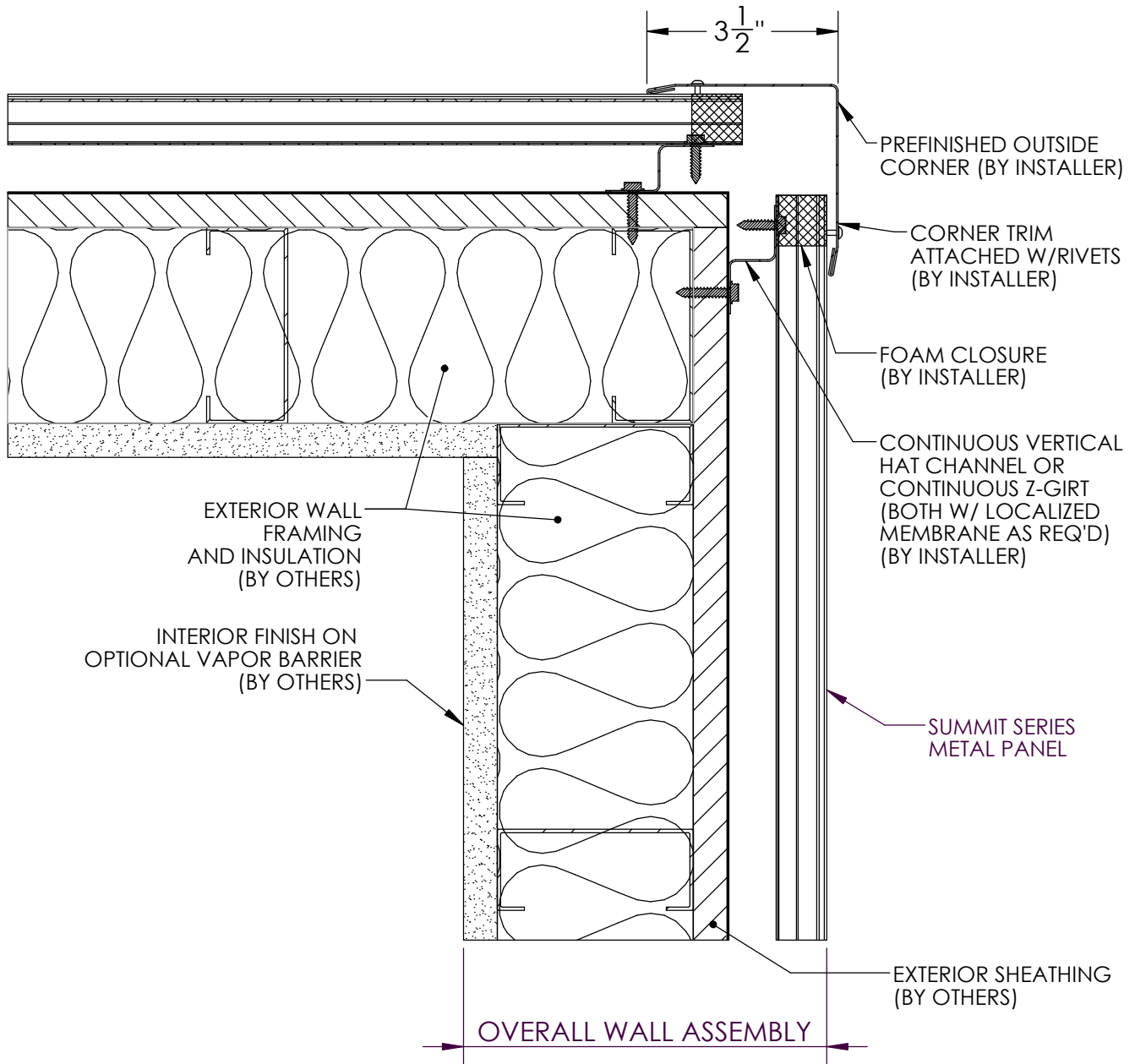




**WAARD
METALS**

SUMMIT SERIES

OUTSIDE CORNER
NO INSULATION

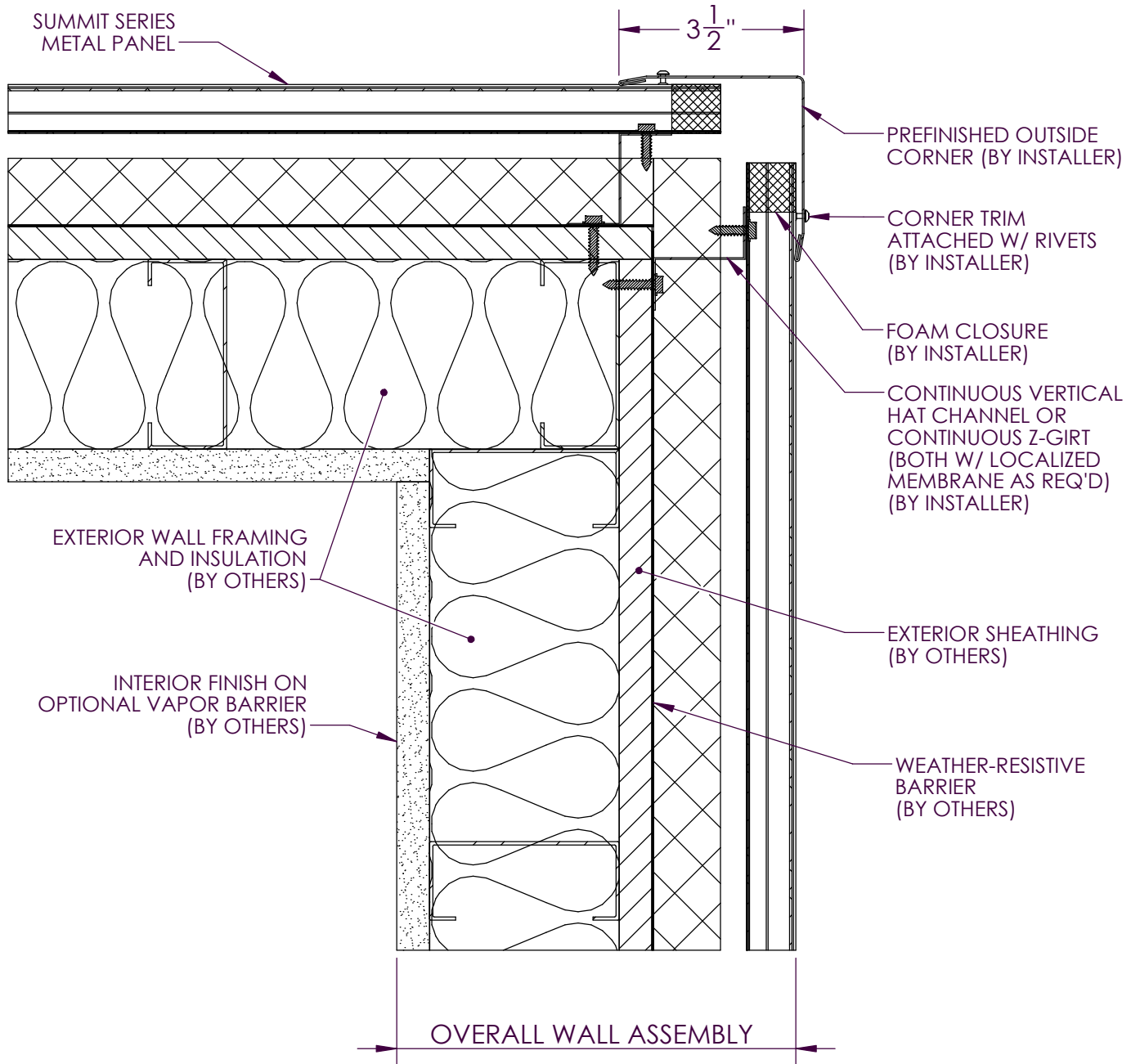




**WAARD
METALS**

SUMMIT SERIES

OUTSIDE CORNER DETAIL
INSULATION

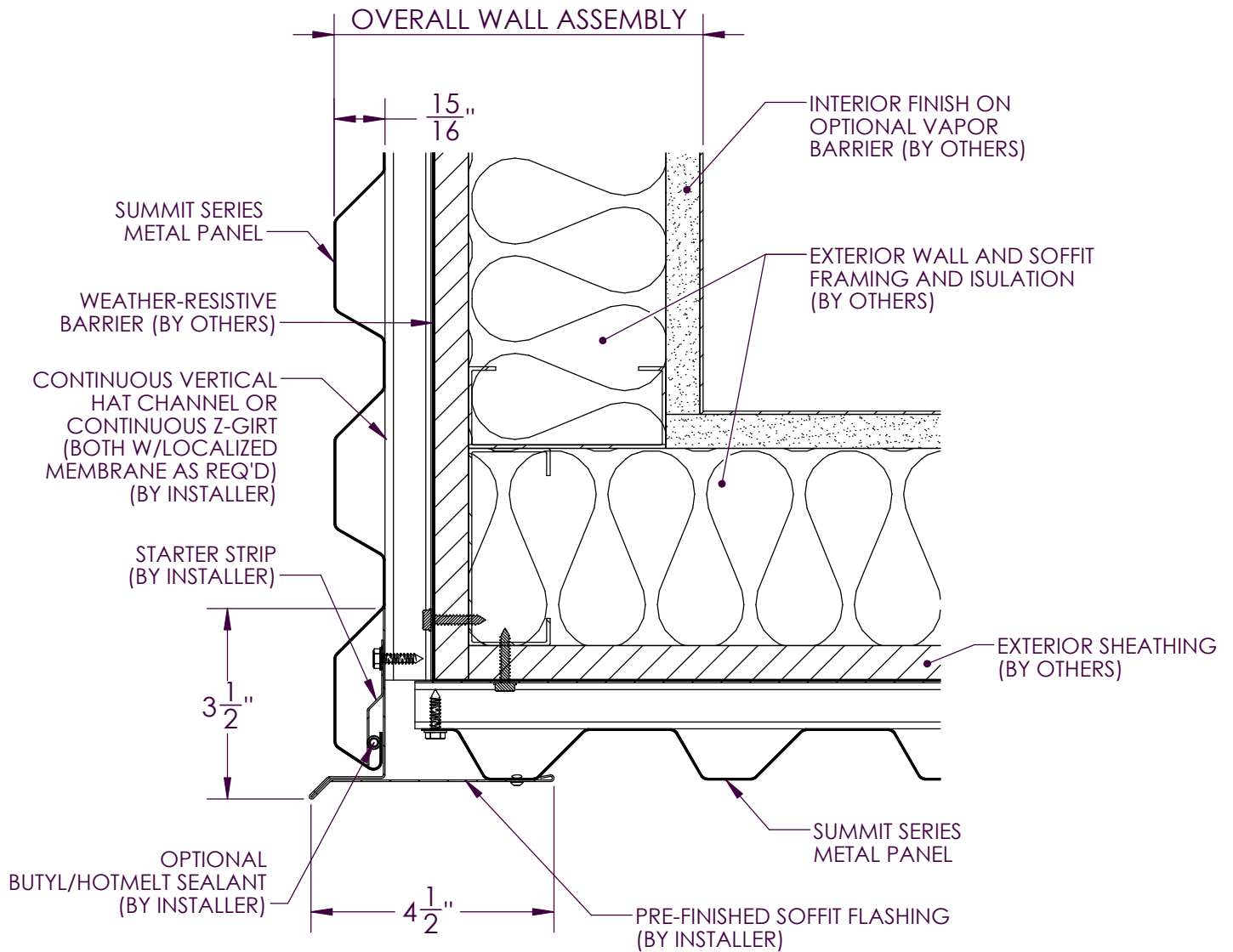




**WAARD
METALS**

SUMMIT SERIES

SOFFIT DETAIL
NO INSULATION

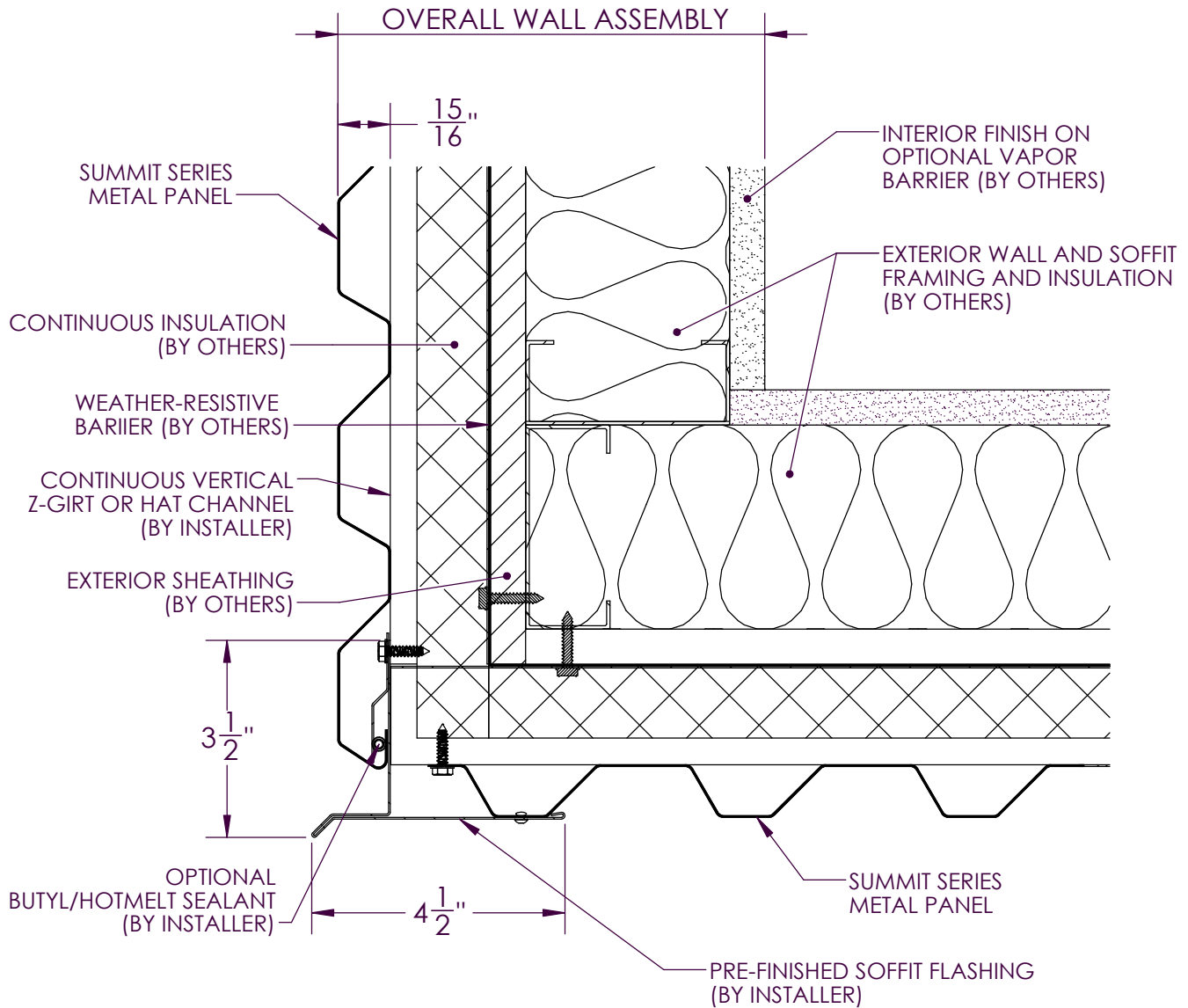




**WAARD
METALS**

SUMMIT SERIES

SOFFIT DETAIL
INSULATION

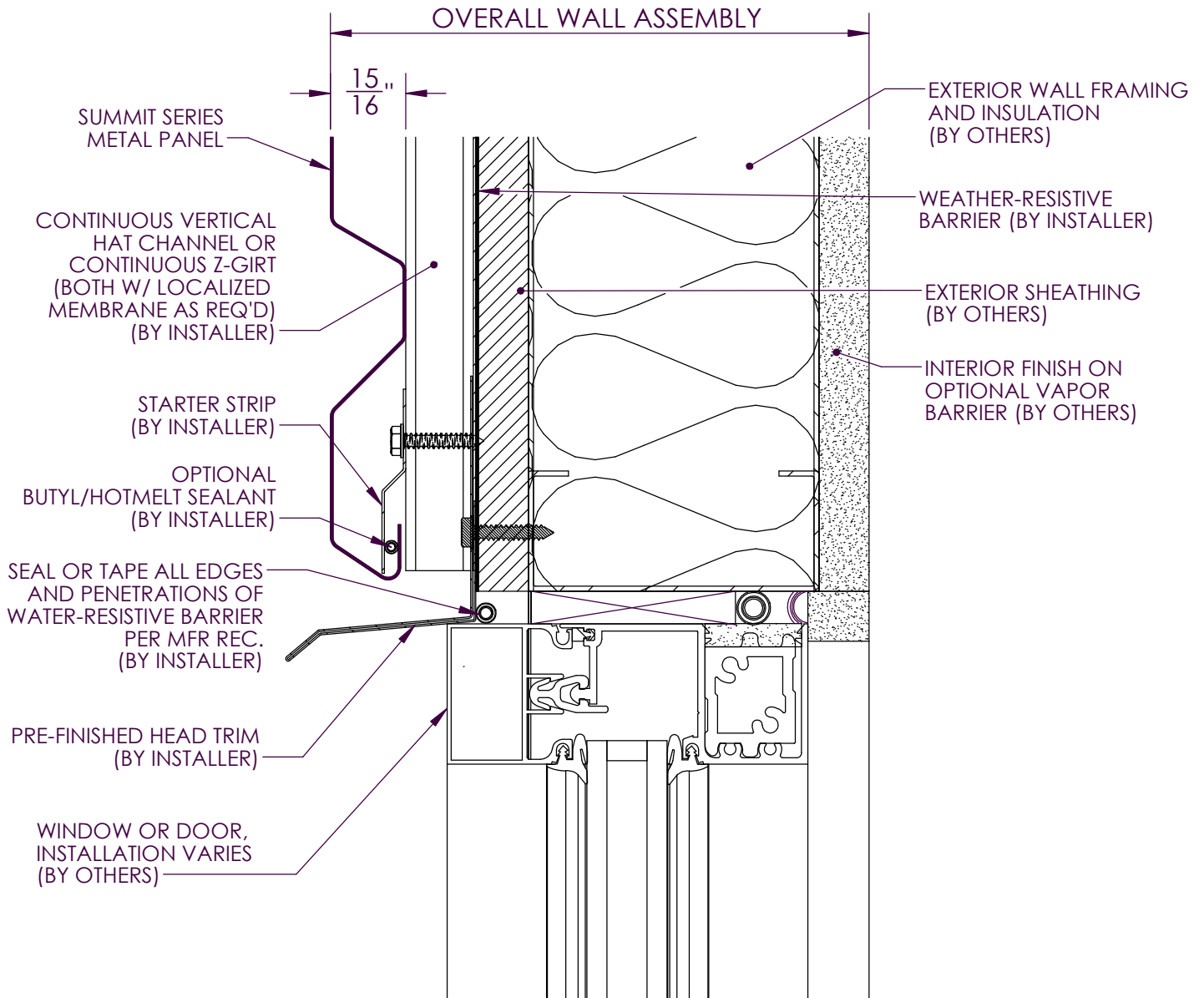




**WAARD
METALS**

SUMMIT SERIES

WINDOW HEAD
NO INSULATION

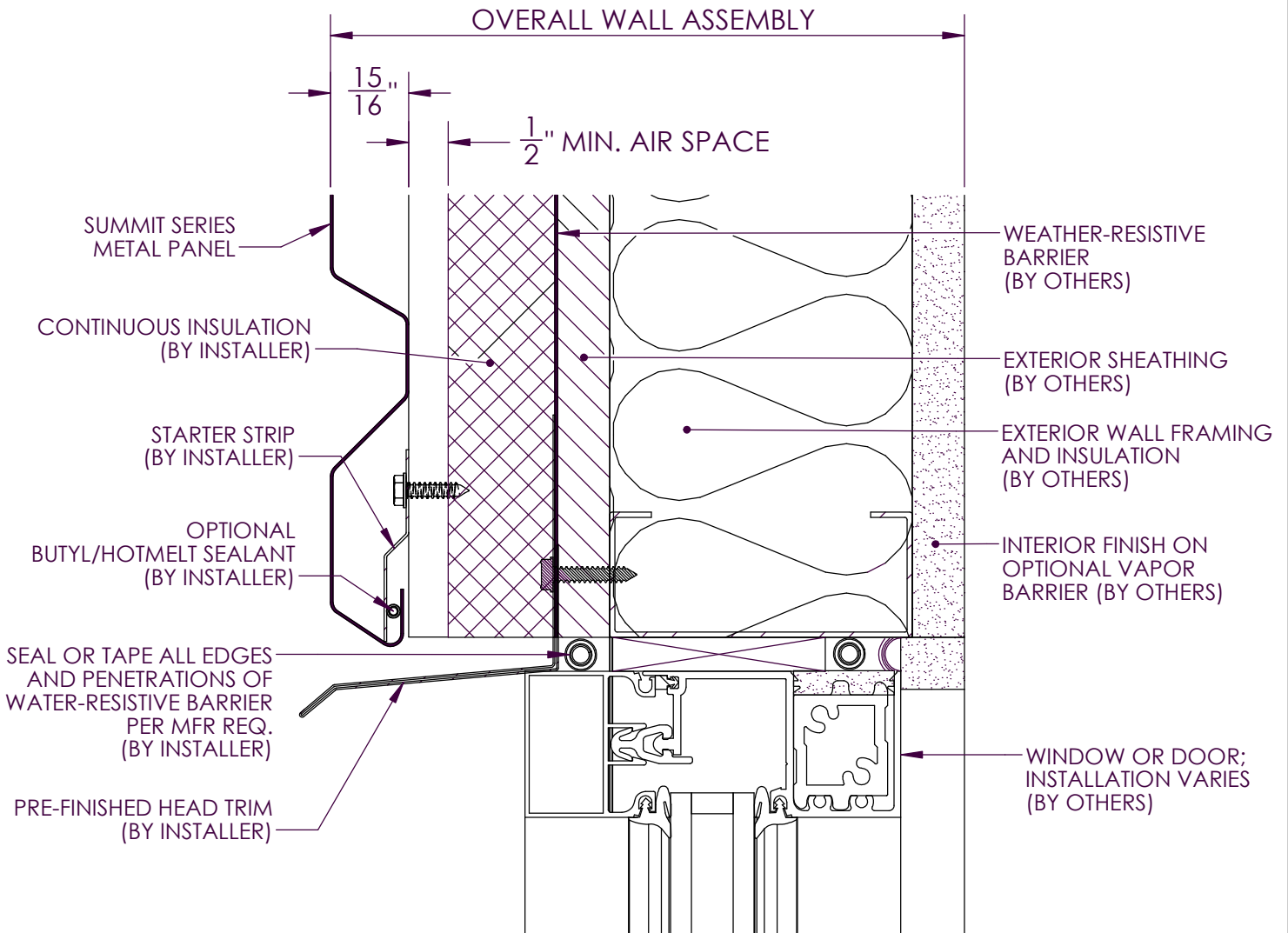




**WAARD
METALS**

SUMMIT SERIES

WINDOW HEAD DETAIL
INSULATION

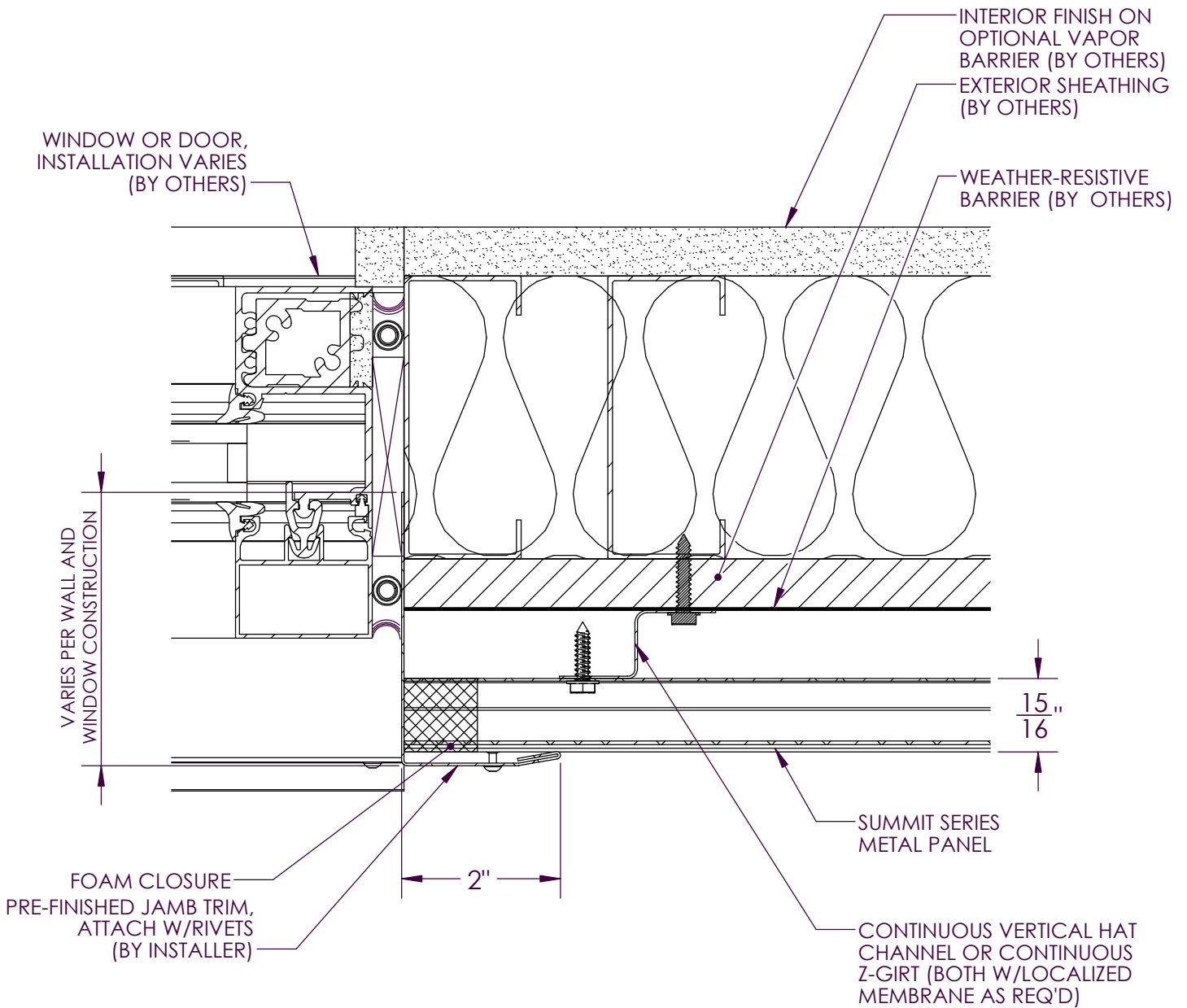




**WAARD
METALS**

SUMMIT SERIES

WINDOW JAMB DETAIL
NO INSULATION

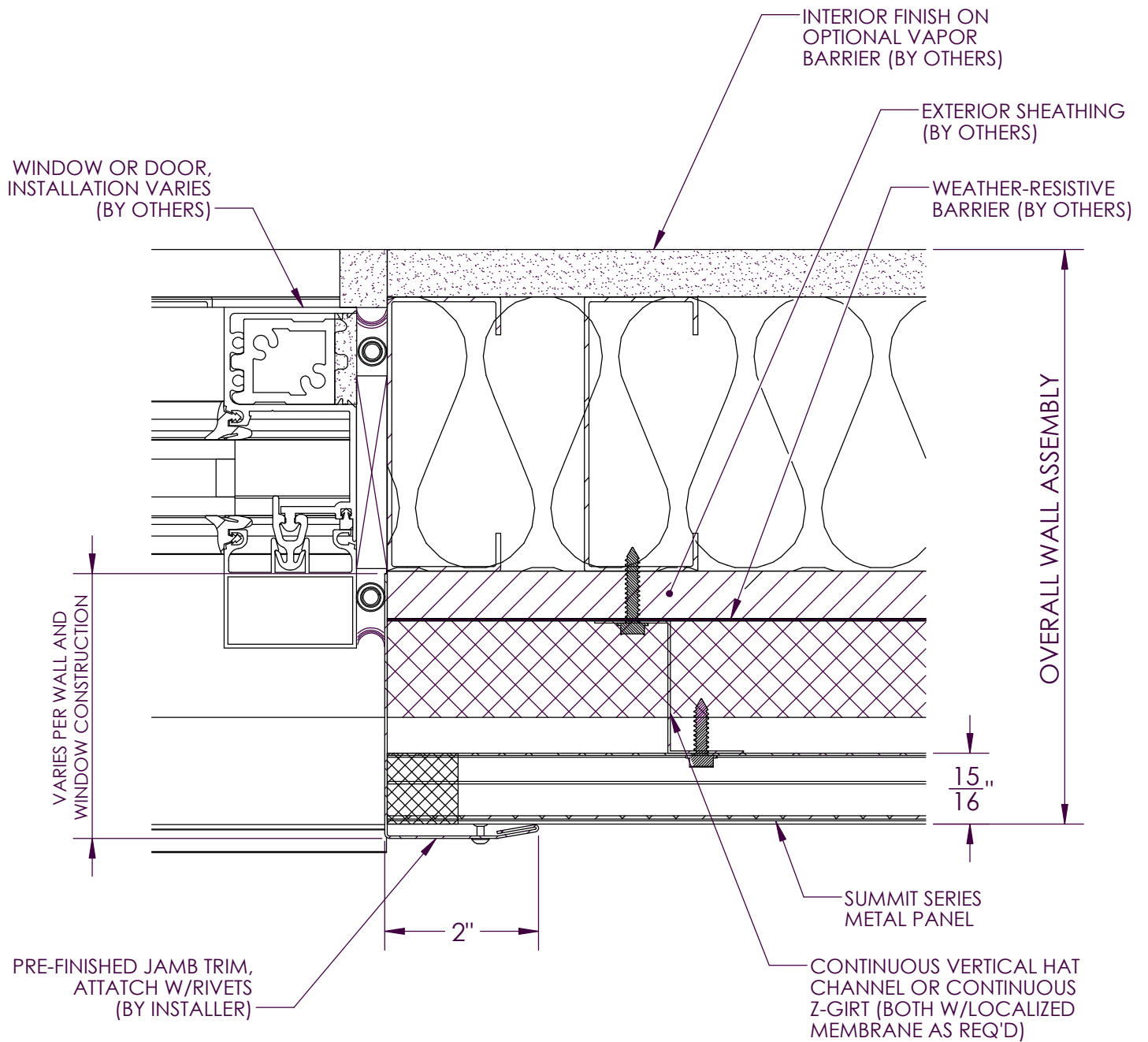




**WAARD
METALS**

SUMMIT SERIES

WINDOW JAMB DETAIL
INSULATION

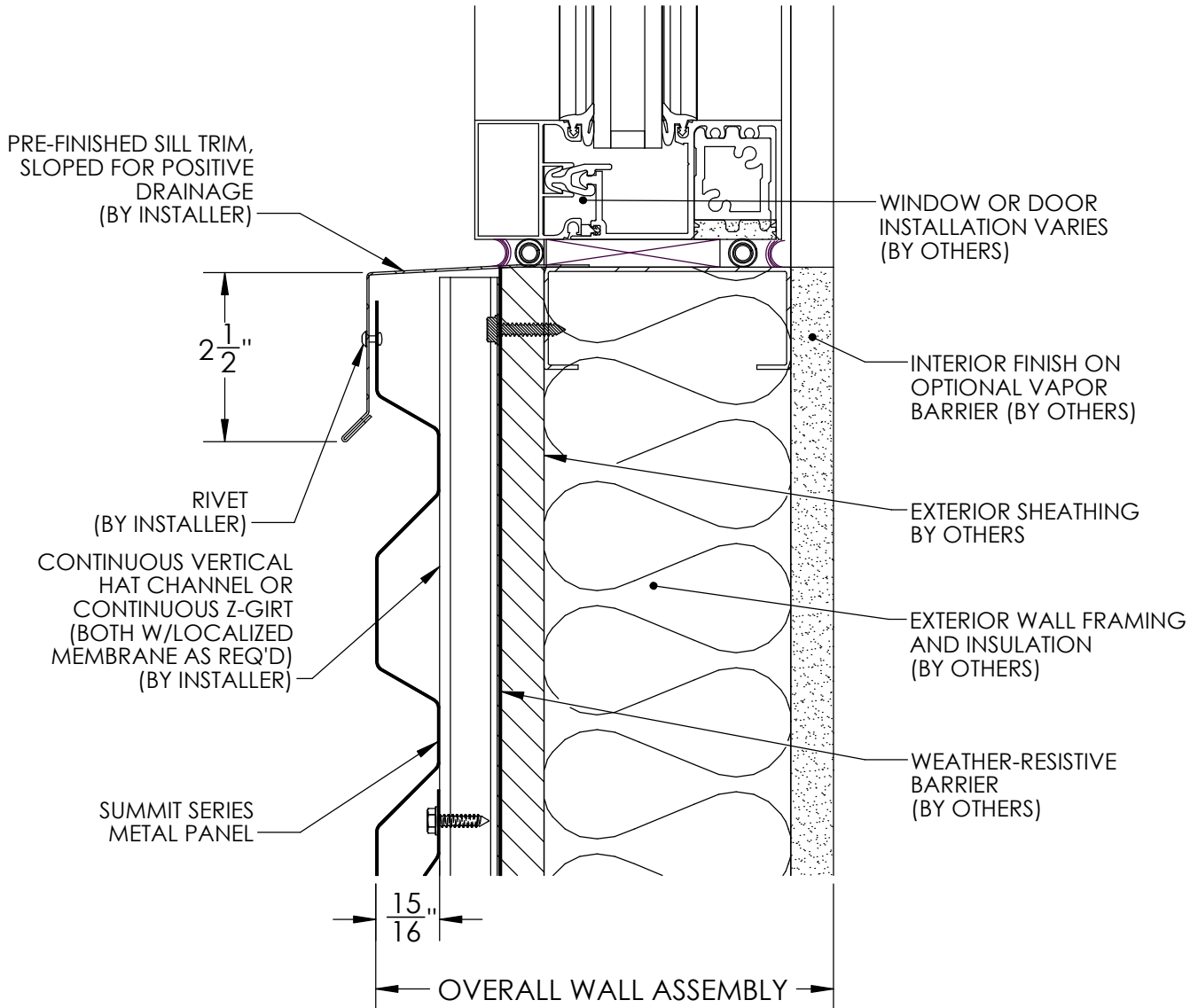




**WAARD
METALS**

SUMMIT SERIES

WINDOW SILL DETAIL
NO INSULATION

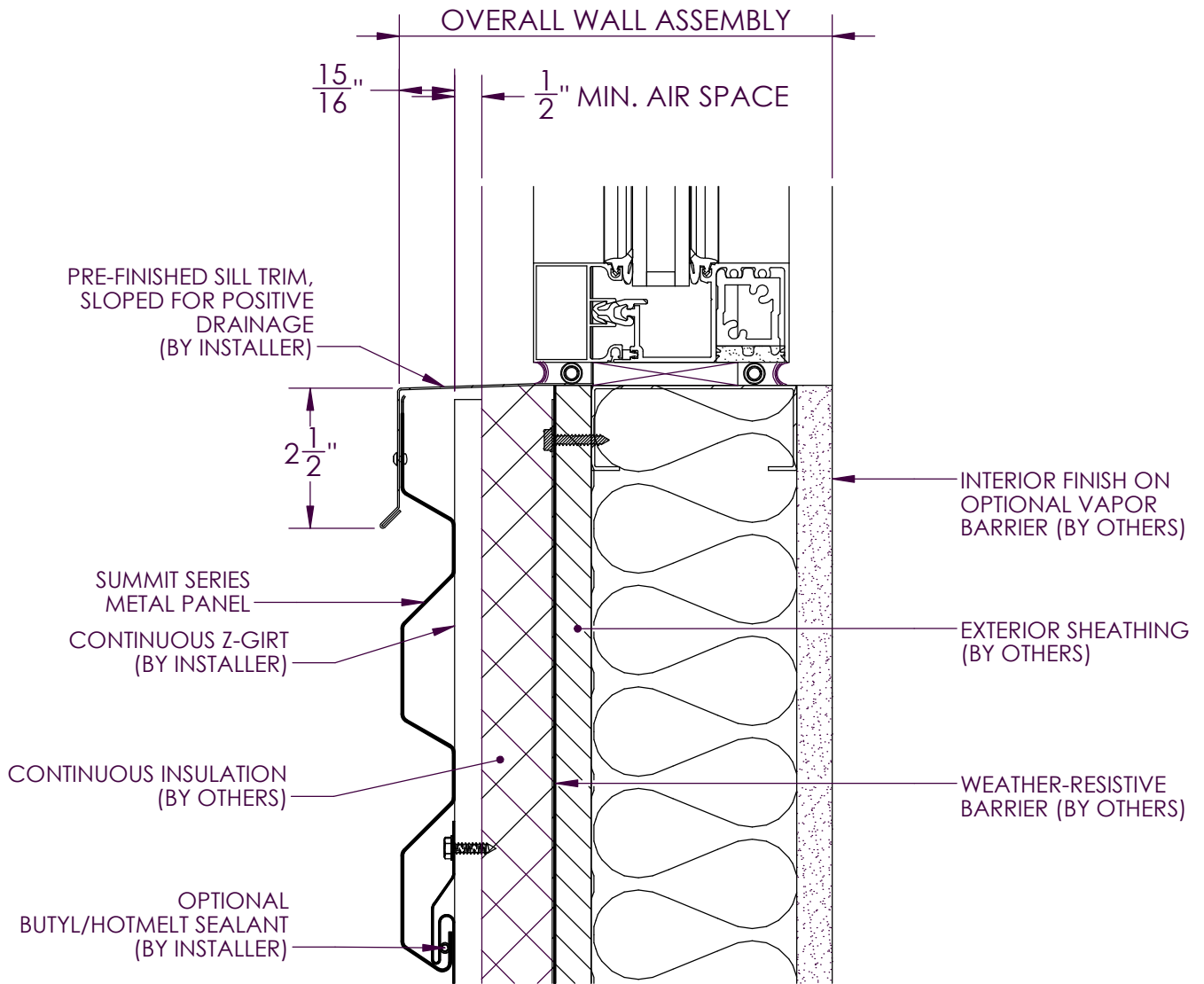




**WAARD
METALS**

SUMMIT SERIES

WINDOW SILL DETAIL
INSULATION

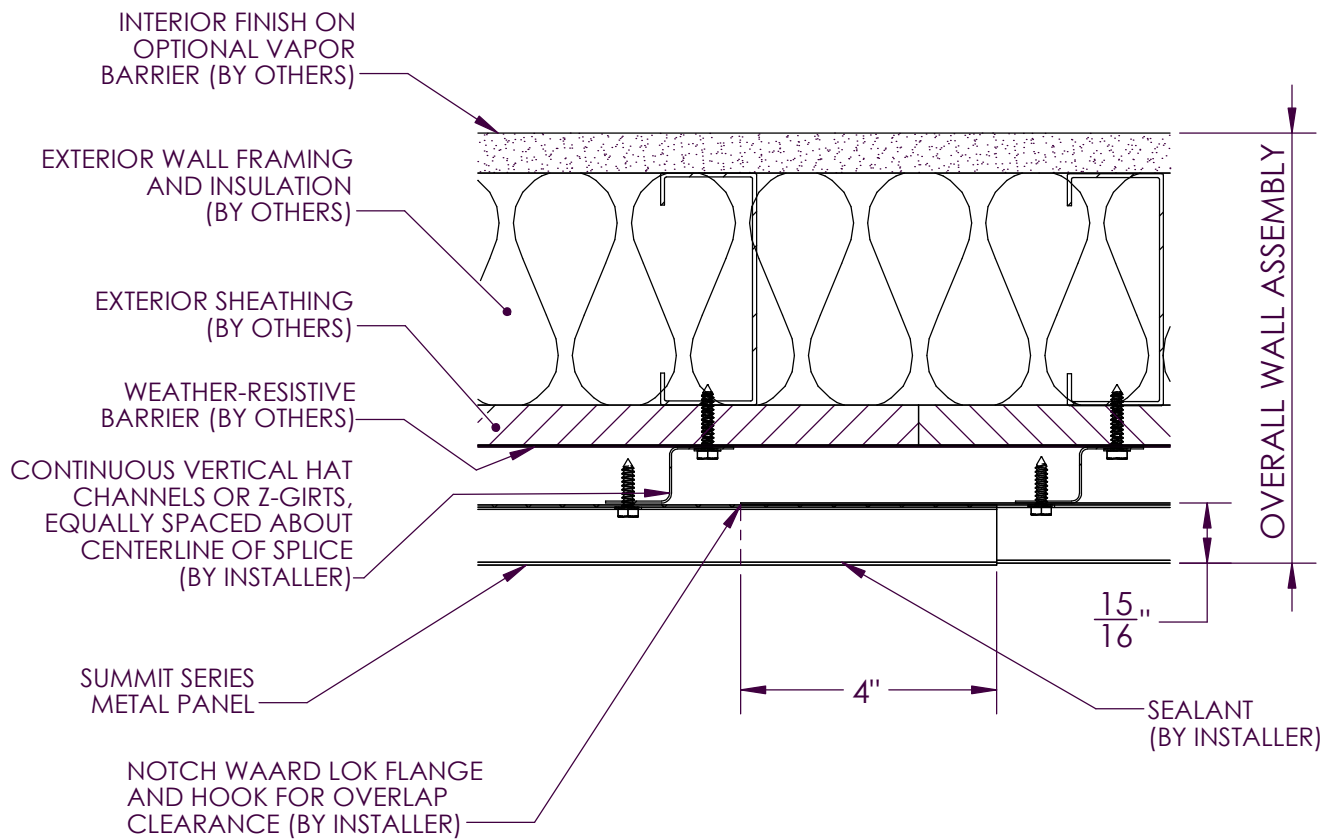




**WAARD
METALS**

SUMMIT SERIES

PANEL JOINT - LAP

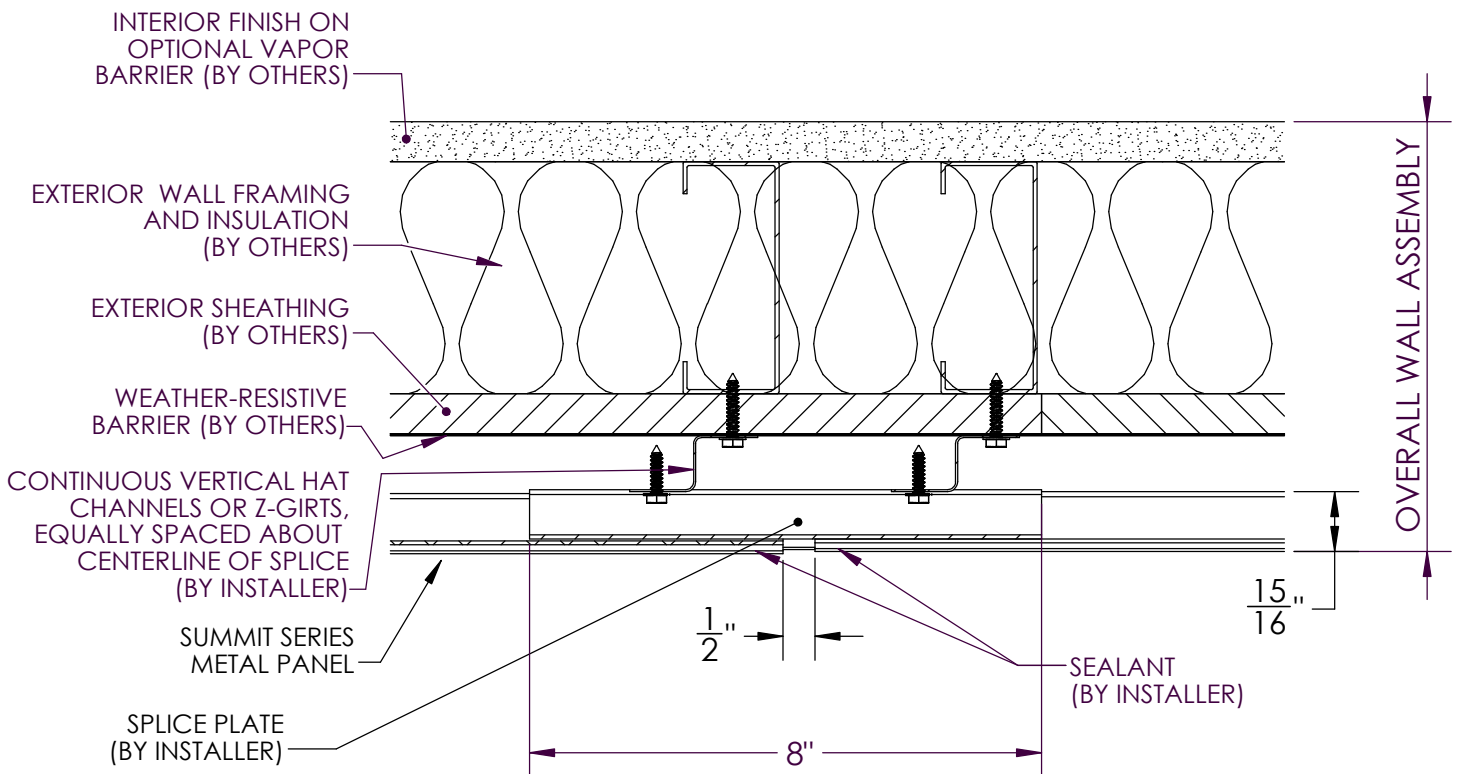




**WAARD
METALS**

SUMMIT SERIES

PANEL JOINT - SPLICE PLATE

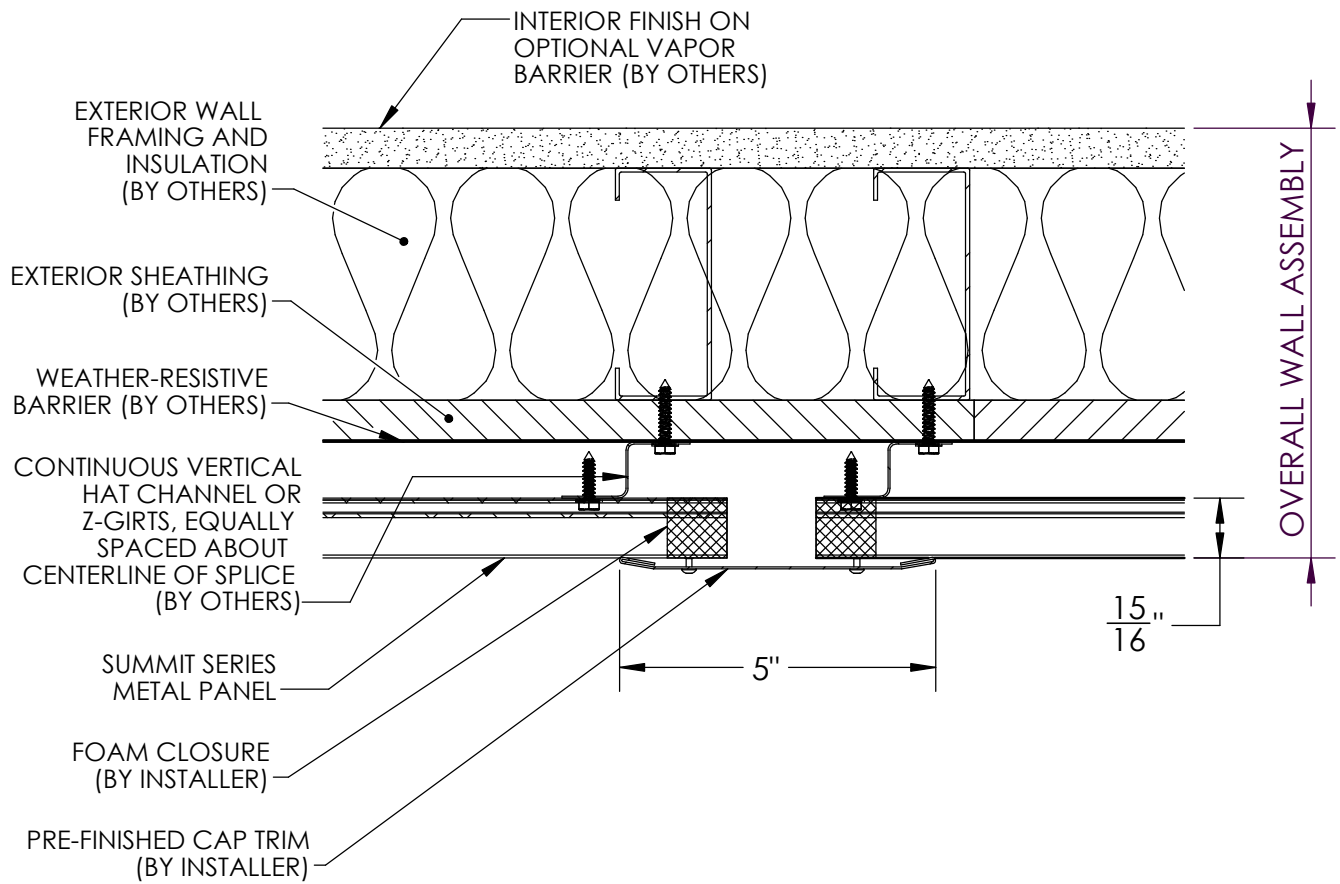




**WAARD
METALS**

SUMMIT SERIES

COVER TRIM DETAIL

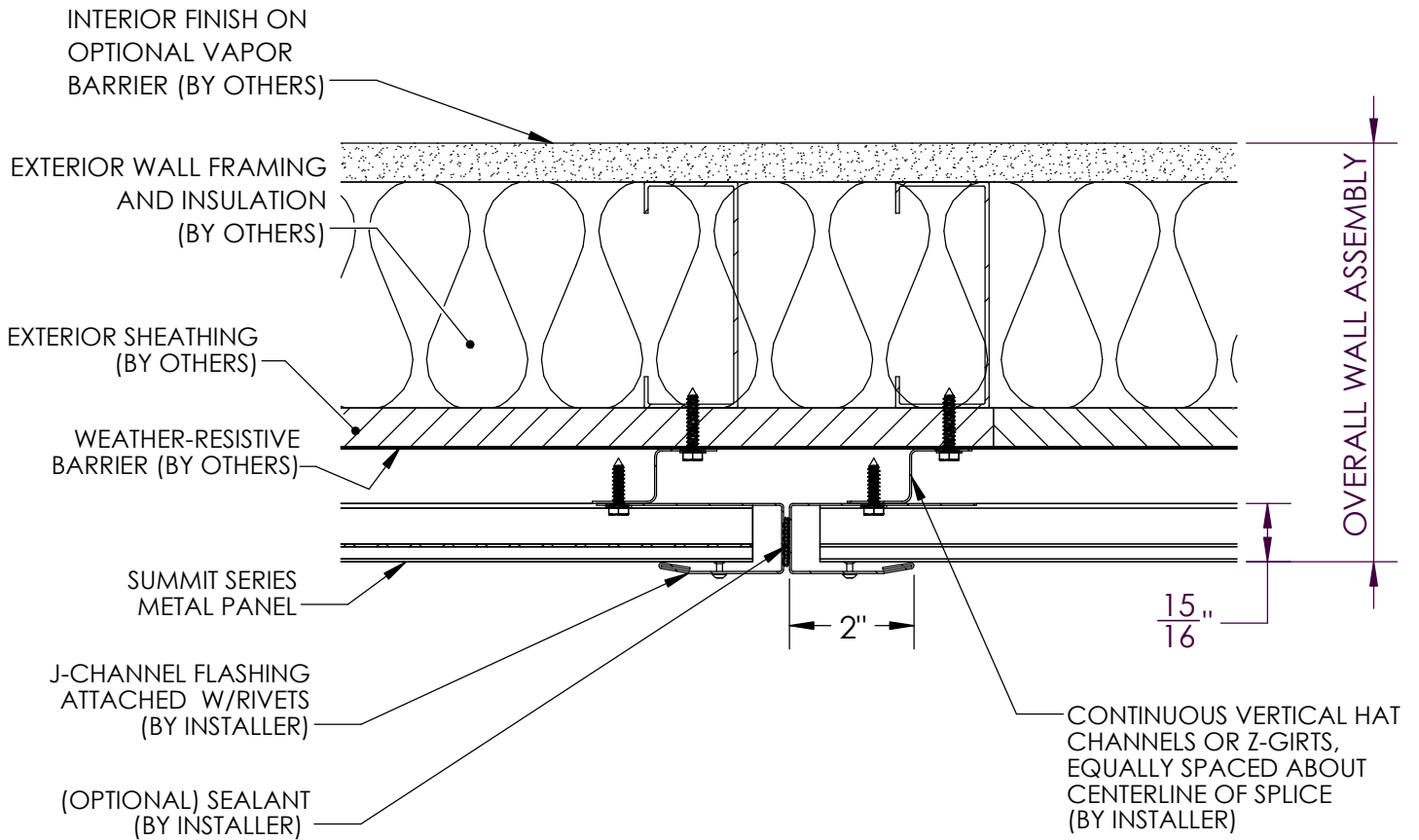




**WAARD
METALS**

SUMMIT SERIES

PANEL JOINT - J-CHANNEL

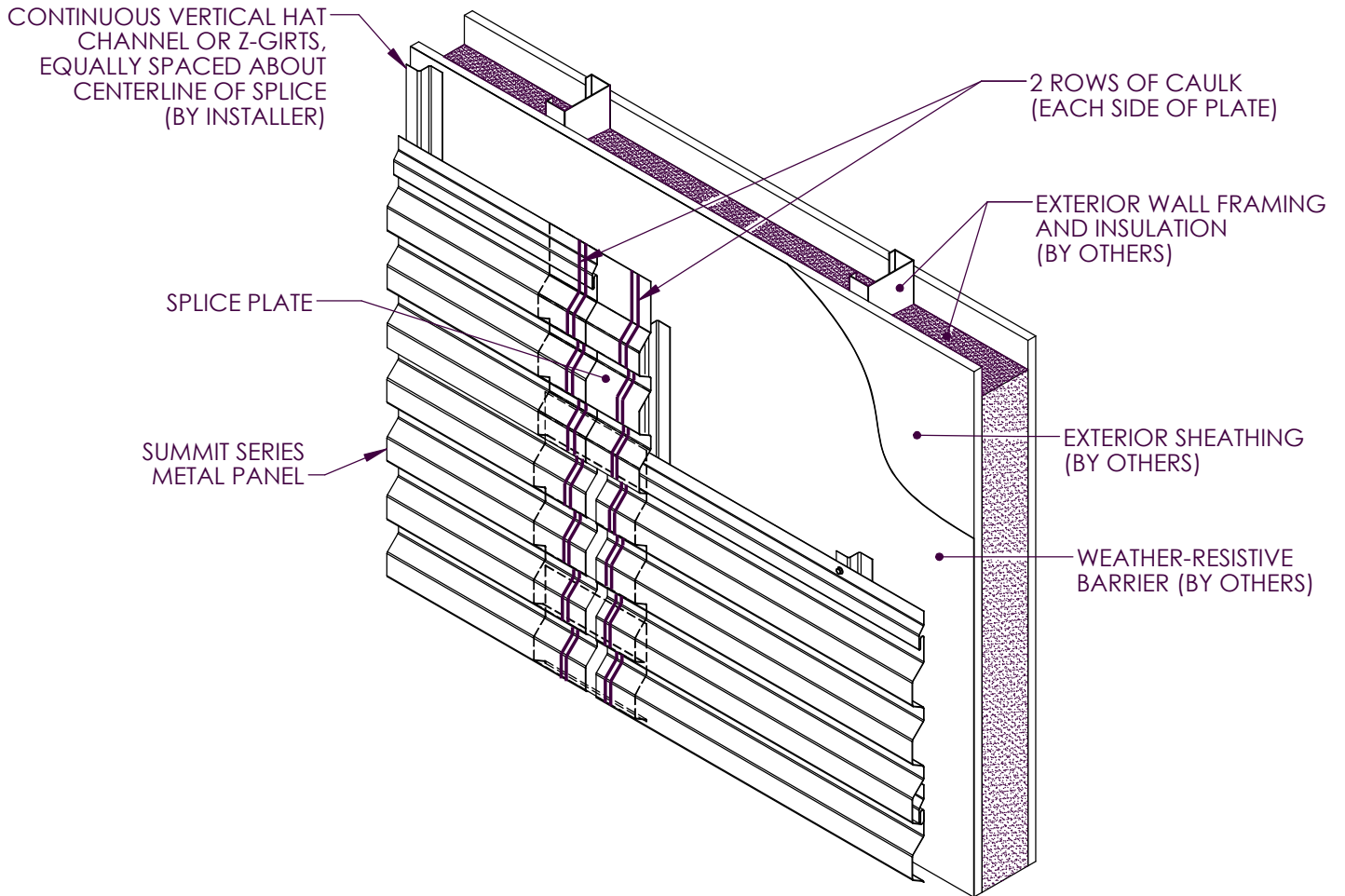




**WAARD
METALS**

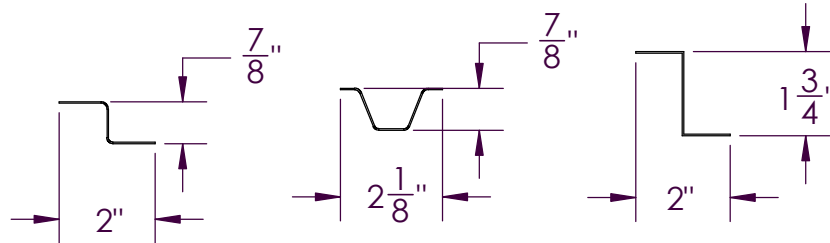
SUMMIT SERIES

ISOMETRIC WALL
ASSEMBLY VIEW

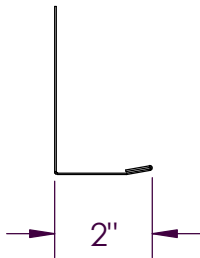




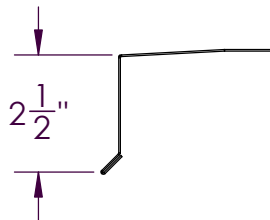
Z-GIRT AND HAT CHANNEL
PROFILE DIMENSIONS:



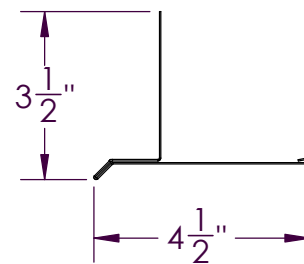
WINDOW JAMB
TRIM



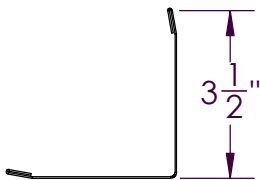
SILL TRIM



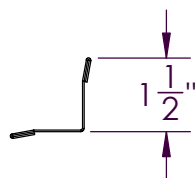
SOFFIT TRIM



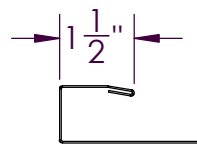
OUTSIDE CORNER



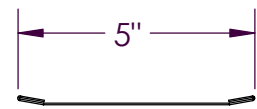
INSIDE CORNER



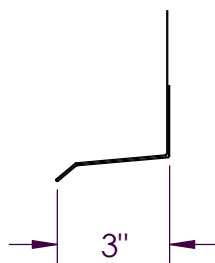
J-CHANNEL



CAP TRIM



BASE TRIM /
WINDOW HEAD TRIM



STARTER STRIP

